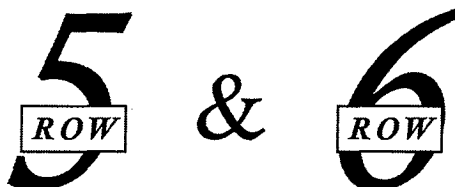




FARM MACHINERY

Parts & Maintenance Manual



MD Series POWER MULCHER

s/n xxxx
model: xxxx-xx

FAILURE TO UNDERSTAND AND FOLLOW THESE SAFETY INSTRUCTIONS MAY RESULT IN SERIOUS PERSONAL INJURY.

1. Do not allow anyone to operate the Mulcher without proper training in both it's operation and these safety precautions.
2. Use extreme caution when hitching the Mulcher to the tractor. Do not stand between the tractor and the Mulcher when the tractor driver is operating the tractor.
3. Stay clear of the rotating P.T.O. driveline when tractor is running. Never operate the P.T.O. without the safety shields in place.
4. Do not open the top access doors on the Mulcher while the Mulcher is running.
5. Do not walk or stand in front of the Mulcher when the tractor is moving.
6. Support the Mulcher before working under it. It is preferred that heavy steel stands are used to support the Mulcher. If stands are not available, large wooden blocks may be used. Use wooden blocks of sufficient size to hold the Mulcher at the desired height. **Never stack blocks on top of each other to gain more height off the ground. Stacked blocks may not be stable and the weight of the Mulcher may cause the blocks to shift and allow the Incorporator to fall causing serious personal injury.**

To properly support the Mulcher, lift it with the tractor hitch, place the stands or large wooden blocks under each outer side plate and lower the Mulcher onto the stands or blocks. Place the tractor transmission into Park and turn off the tractor engine. Check to make sure the Mulcher is securely supported by the stands or blocks.



WARNING



After initial installation, be sure to cycle the three point hitch from the fully raised position to the fully lowered position to verify that the P.T.O. driveline does not bottom out or pull out.

MAINTENANCE

Daily or every 8 hours of operation:

1. Open the top access doors and inspect for any loose or broken parts. Ensure that all the rotors and/or blades are securely fastened and that the blades are not excessively worn.
2. Grease the upper drive shaft bearings. Use one pump of grease per bearing.
3. Grease the hex shaft carrier bearings. Use one pump of grease per bearing. Close and fasten the top access doors.
4. Make a visual check of the T-box for any oil leaks. If leaks are evident, repair them and check the oil level. Fill with 80-90 weight oil to the lower drain plug.
5. Grease universal joints on P.T.O. driveline. Use one pump of grease per joint.
6. Inspect inner and outer P.T.O. shields for damage and freedom of rotation. Replace any shields that do not rotate freely.
7. Check the connection of the P.T.O. to the T-box input shaft to ensure it is securely fastened.
8. Check oil levels in chain boxes. Fill with 80-90 weight oil to the lower drain plug.
9. Grease chain box bearings. Use one pump of grease per bearing.
10. Check the chain tension. The chain should have no more than 1/4" deflection. Be careful not to overtighten. Note: Loosen the two nuts on the outside of the chain box housing before adjusting the tensioning bolt. Re-tighten these two nuts after the chain has been tensioned.

Weekly or every 40 hours of operation:

1. Grease the P.T.O. driveline shaft through the inner sleeve (two grease fittings). Use two pumps of grease for each fitting.
2. Grease the P.T.O. shield bearings.
3. Inspect the furrowing out shovels and shoe wear plates for excessive wear and replace as necessary.
4. Check the gauge wheel lug nuts for tightness.
5. Check the gauge wheel hubs for proper fit to spindles.

Annually:

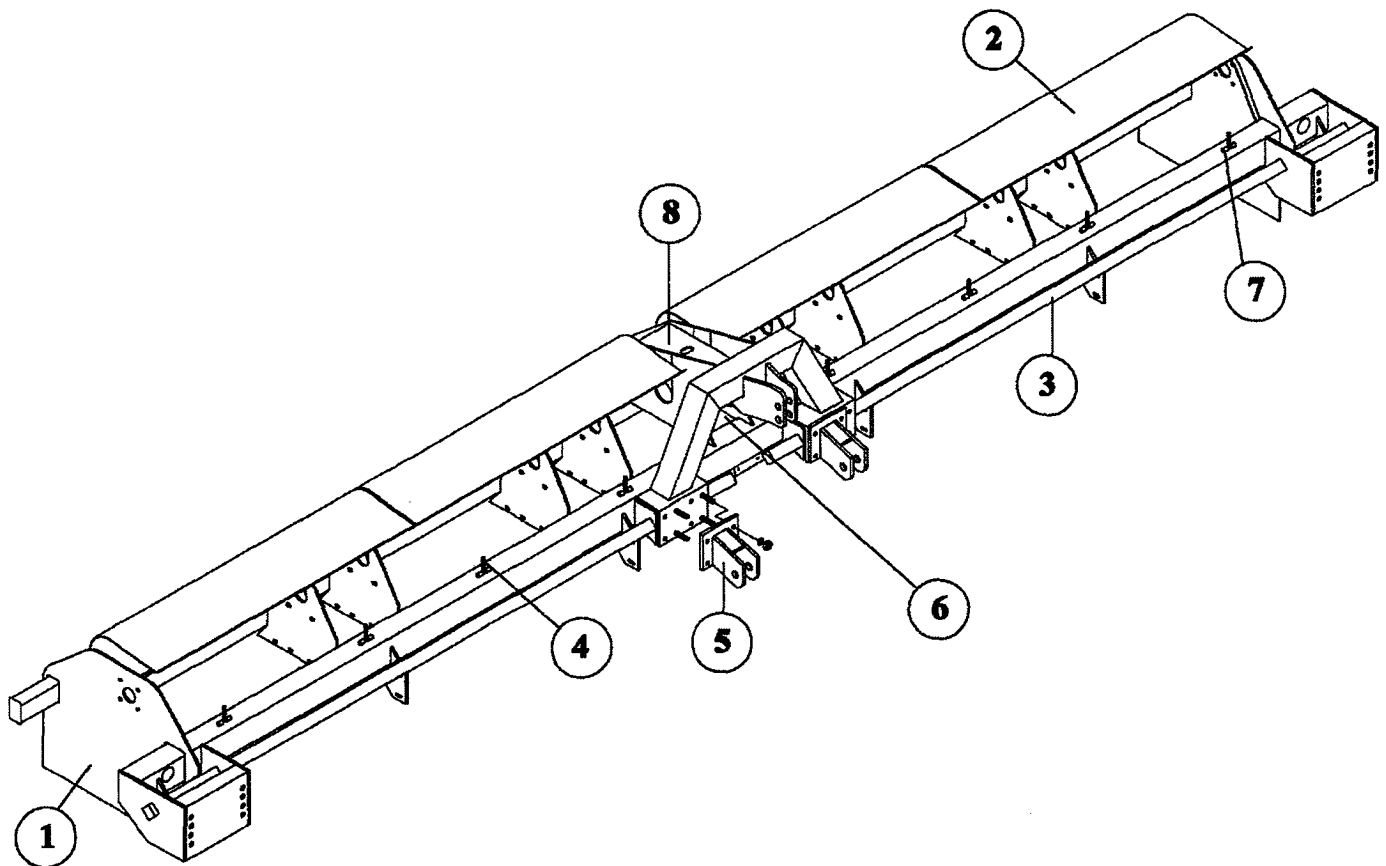
1. Change the oil in the T-box.
2. Re-pack the gauge wheel bearings with wheel bearing grease and replace seals.
3. Inspect the hex shafts for cracks.
3. Inspect all bearings for excessive wear and replace as necessary.
4. Inspect the P.T.O. shaft and universal joints for wear.
5. Change the oil in the chain boxes.

PARTS CATALOG

TABLE OF CONTENTS

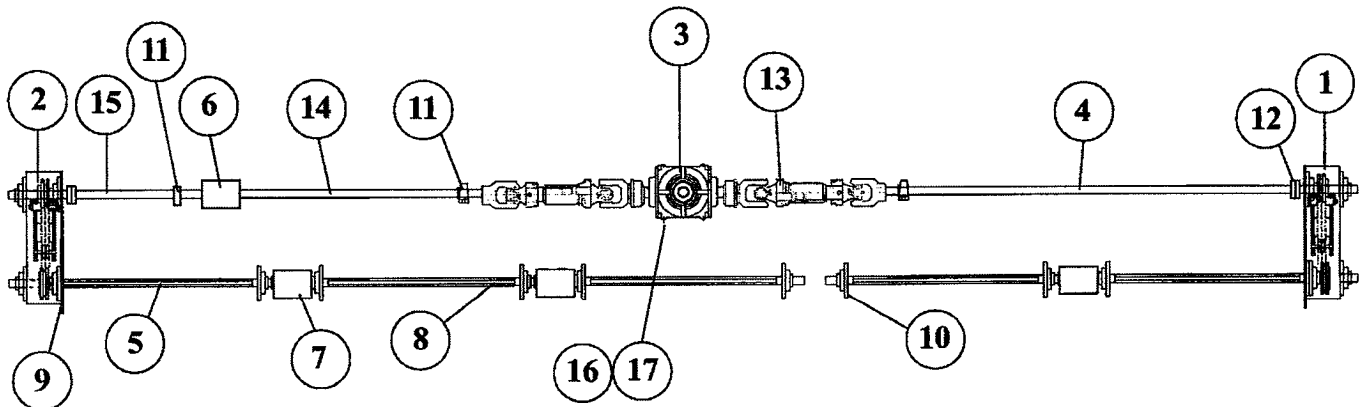
	PAGES
Main Frame Assembly	5
Shafts	6
Grid Coupler Assembly	7
Top Shaft Driveline Assembly	8
Chain Box	9 - 10
T-Box	11
Driveline	12
Rotor Assemblies	13
Outer Shoe Assemblies	14
Inner Shoe Assemblies	15
Optional Shoe to Split Beds	16
Rear Doors & Filler Plates	17
Plant Tunnel Assemblies	18
Gauge Wheel Assembly	19

MAIN FRAME ASSEMBLY			
Ref.#	Part Number	Qty. Req'd	Description
1	112589	2	SIDE PLATE
2	113487	4	DOOR WELDMENT, Top, 560 & 566
3	100977-33	2	TOOL BAR, Front, 560
	100977-46	1	TOOL BAR, Front, 566
	100977-47	2	TOOL BAR, Front, 566
4	107115	8	LATCH WELDMENT, Cover (used on older style frames)
	108269	8	WING NUT WELDMENT (not shown)(used on older style frames)
		4 per door as req'd	CONNECTOR BAR (used on newer style frames in lieu of p/n 107115)
	71323	2 per door	DOOR CLOSURE BRACKET (bolts onto door, used with p/n 116524)
5	113817	2	SNAP PIN (connects p/n116252-1&-2 to p/n116254) 100530-1 is Chain
	108553	2	HITCH WELDMENT, Lower
	108556	2	HITCH PIN, Lower, Category 3 (not shown)
	113699	2	HITCH PIN, Lower, Category 2 (not shown)
	61151	1	HITCH PIN, Upper (not shown)
	61151	3	LYNCH PIN (not shown)
6	112617	1	BOTTOM PLATE
7	107098	16	PIVOT TUBE
8	113133	1	T-BOX TOP COVER WELDMENT
9	113642	8	SIDE PLATE SHIELD WELDMENT, Top Shaft (not shown)
10	113560	8	SHIELD BRACKET WELDMENT, Lower Shaft (not shown)

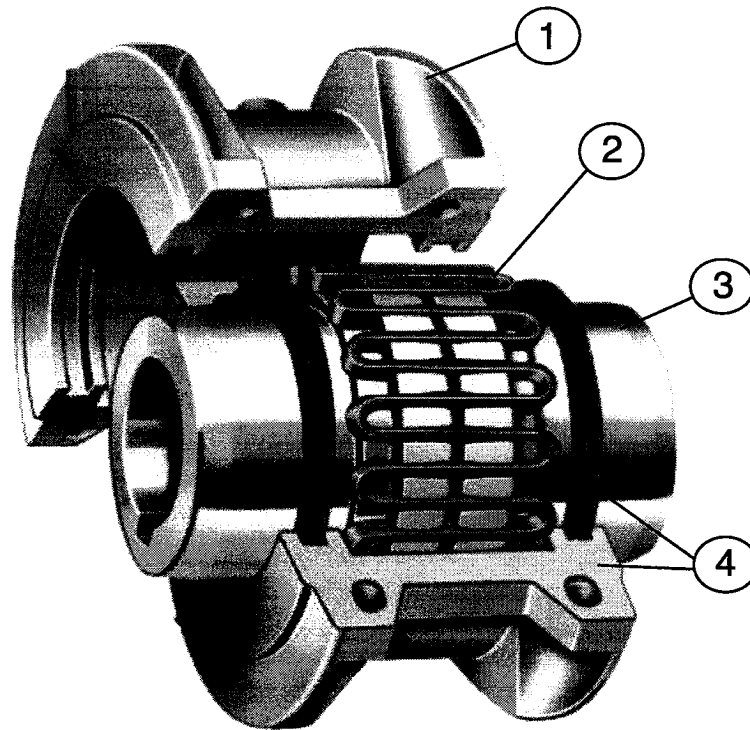


SHAFTS

Ref.#	Part Number	Qty. Req'd	Description
1	107398-4	1	CHAIN BOX ASSEMBLY, LH
2	107398-3	1	CHAIN BOX ASSEMBLY, RH
3	72151	1	T-BOX, Splined Input Shaft
4	112715-7	2	SHAFT, Top, Non-coupled, 560
	112715-6	2	SHAFT, Top, Non-coupled, 566
5	114933-1	2	SHAFT, Bottom, 2" Hex, Chain Box, 560 & 660
	114933	2	SHAFT, Bottom, 2" Hex, Chain Box, 566
	114933-7	2	SHAFT, Bottom, 2" Hex, Chain Box, 572
6	115403	2	TOP SOLID CONNECTING COUPLER ASSY.
	115402	1	CONNECTING COUPLER
	72313	8	BOLT, 1/2"
	Stock	8	LOCK WASHER, 1/2"
	30264	8	NUT, 1/2"
	101186-2	2	KEYSTOCK
7	115403	3	BOTTOM SOLID COUPLER ASSY. (660 uses Qty. 4)
	115402	1	CONNECTING COUPLER
	72698	3	BOTTOM GRID COUPLER ASSY. (see page 7) 660 uses Qty. 4)
	72699	1	COVER
	72700	1	HUB
	72701	1	GRID
	72758	1	SEAL KIT
	73910	1	COVER & GRID ASSEMBLY, incl: Cover, Grid, Seal Kit & Grease
8	114934-1	3	SHAFT, Bottom, 2" Hex, Center, 560 & 660 (660 uses Qty. 4)
	114934	3	SHAFT, Bottom, 2" Hex, Center, 566
	114934-5	3	SHAFT, Bottom, 2" Hex, Center, 572
9	67219	8	OIL SEAL
10	66218	16	BEARING, 1-15/16", 4 Hole Flange (Insert is 66574)"
11	66588	4	BEARING, 1-15/16", Pillow Block (Qty. is 2 with non-coupled Top Shaft)
12	107277	2	DUST COVER WELDMENT
13			TOP SHAFT DRIVE LINE ASSY. (see page 7)
14	115771	2	SHAFT, Top, Requires Coupler #6, T-Box End, w/o Shear Bolt, 560
	116546	2	SHAFT, Top, Requires Coupler #6, T-Box End, with Shear Bolt, 560&660
	115771-1	2	SHAFT, Top, Requires Coupler #6, T-Box End, w/o Shear Bolt, 660
	115771-2	2	SHAFT, Top, Requires Coupler #6, T-Box End, with Shear Bolt, 572
15	115770	2	SHAFT, Top, Requires Coupler #6, Chain Box End, 560&660
	115770-2	2	SHAFT, Top, Requires Coupler #6, Chain Box End, 572
16	72346	4	BOLT for T-Box
17	72347	4	WASHER for T-Box

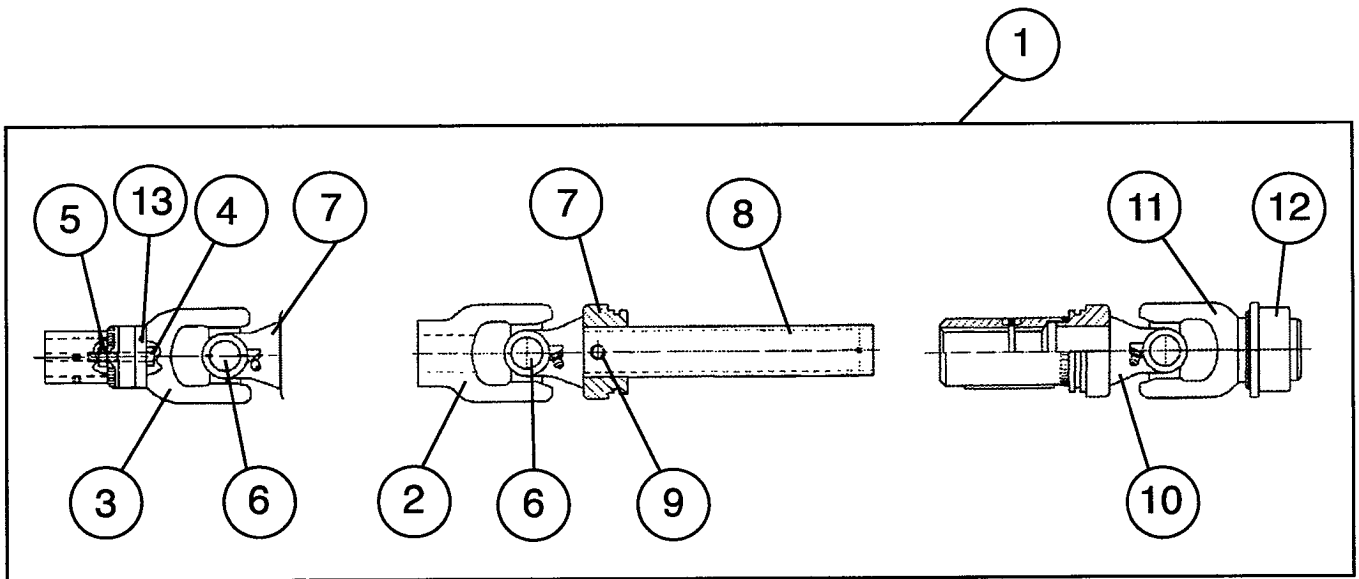


GRID COUPLER ASSEMBLY			
Ref.#	Part Number	Qty. Req'd	Description
	72698	3	BOTTOM GRID COUPLER ASSY. COMPLETE (660 uses Qty. 4)
1	72699	1	COVER
2	72701	1	GRID
3	72700	2	HUB
4	72758	1	SEAL KIT
	73910	1	COVER & GRID ASSEMBLY, incl: Cover, Grid, Seal Kit & Grease



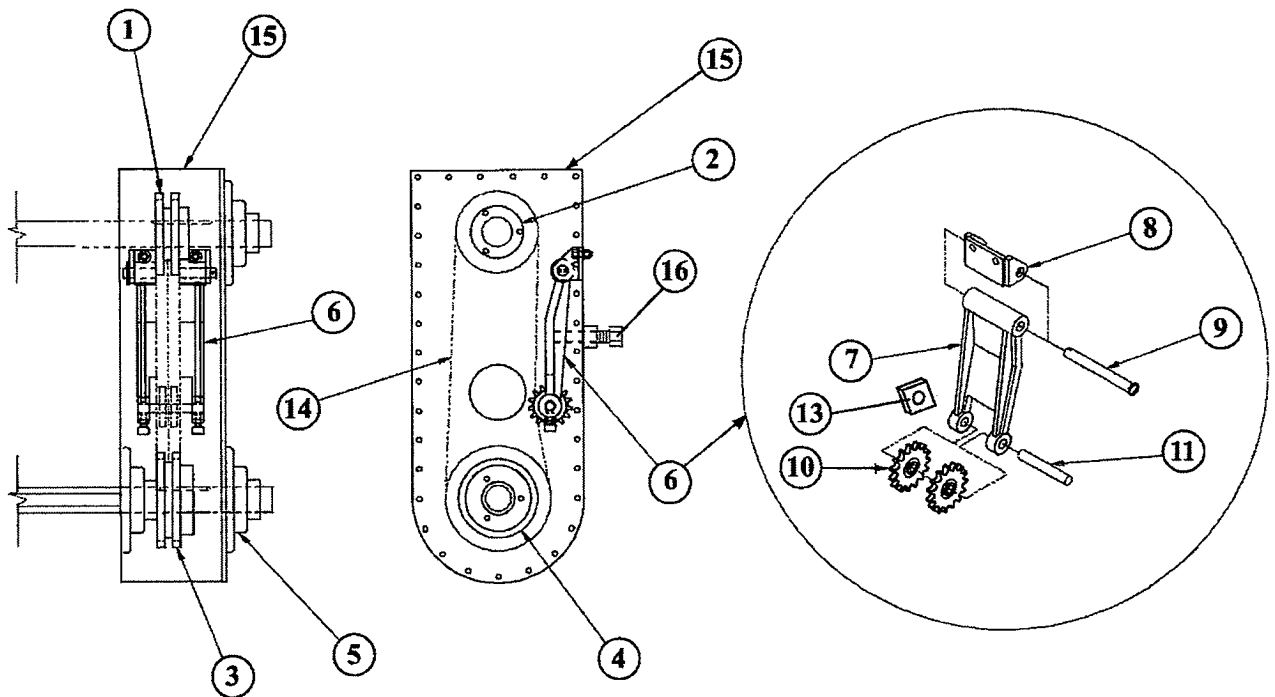
TOP SHAFT DRIVELINE ASSEMBLY

Ref.#	Part Number	Qty. Req'd	Description
1	72183	2	TOP SHAFT DRIVELINE ASSY, Standard
	72360	2	TOP SHAFT DRIVELINE ASSY, Shear Bolt, Optional, 560&660
	72695	2	TOP SHAFT DRIVELINE ASSY, Shear Bolt, Optional, 572
2	72184	1	YOKE, Standard Driveline
3	72361	1	SHEAR BOLT CLUTCH, Optional, 560&660
	72271	1	SHEAR BOLT CLUTCH, Optional, 572
4	72367	1	SHEAR BOLT, 560&660
	72697	1	SHEAR BOLT, 572
5	72286	1	NUT, 560&660
	72285	1	NUT, 572
6	72185	2	CROSS & BEARING KIT
7	72186	1	INBOARD YOKE
8	72187	1	INNER PROFILE SHAFT
9	72188	1	SPRING PIN
10	72189	1	YOKE & SLEEVE
11	72190	1	YOKE
12	72373	1	COLLAR KIT, for Yoke
13	72869	1	GREASE FITTING, Shear Bolt Clutch



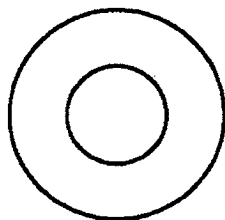
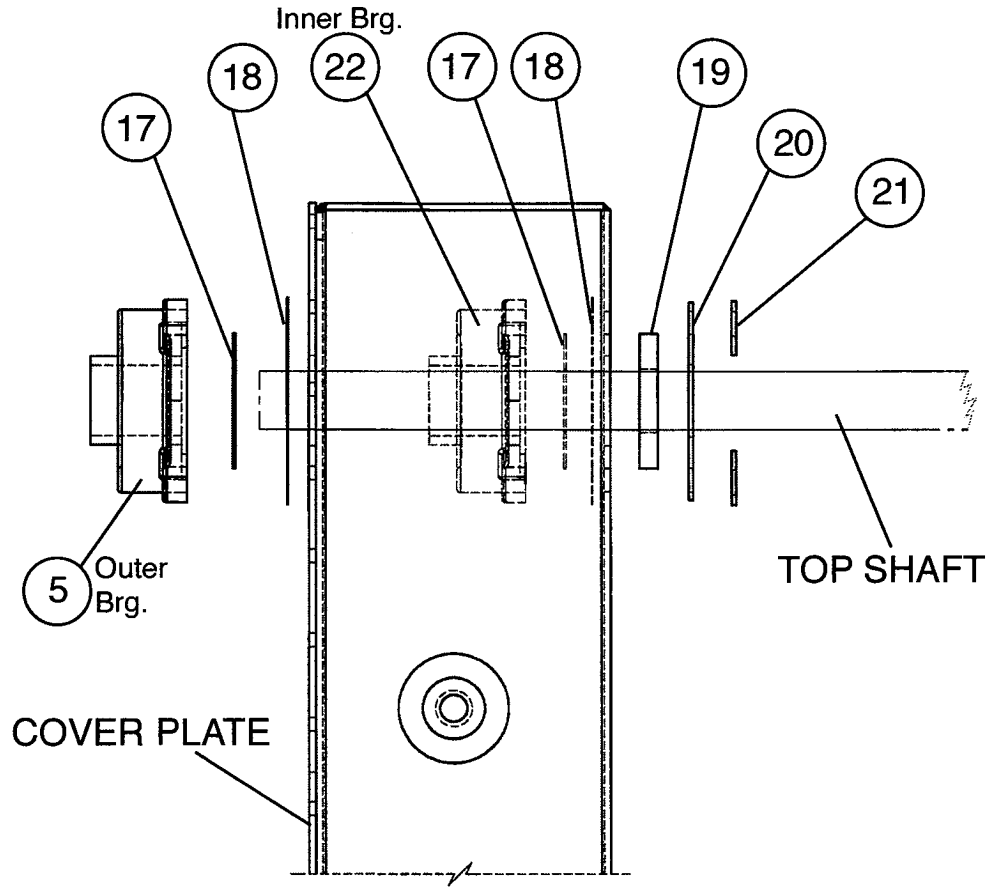
CHAIN BOX

Ref.#	Part Number	Qty. Req'd	Description
1	71723	1	SPROCKET, Top, T80 Chain
2	66821	1	HUB, Top, T80 Chain
3	71724	1	SPROCKET, Bottom, T80 Chain
4	66228	1	HUB, Bottom, T80 Chain
5	66218	3	BEARING, 1-15/16", 4-Hole Flange (Outer Top & Bottom, Inner Bottom)
	66574	1 per Brg.	BEARING INSERT
	70157	2	GREASE TUBE (not shown)
6	114712	1	IDLER ASSEMBLY, T80 Chain
7	114709	1	FRAME WELDMENT, Chain Idler, T80 Chain
8	107332	1	MOUNT BRACKET
9	107335	1	PIN, Mount Bracket
10	66232	3	SPROCKET, T80 Chain
11	114713	1	PIN, Idler Sprocket, T80
	30592	1	COTTER PIN (not shown)
13	114714	1	SQUARE WASHER, Sprocket Pin, T80 Chain
14	72777	1	CHAIN ASSEMBLY, T80
15	107398-3	1	CHAIN BOX ASSEMBLY, RH
	107398-4	1	CHAIN BOX ASSEMBLY, LH
16	69657	1	BOLT, Chain Tensioner
17	67219	4	RUBBER SEAL, 2 on each Shaft, Top & Bottom
18	63140	4	FIBER GASKET, Bearing, 2 on each Shaft, Top & Bottom
19	63139	2	FELT SEAL
20	108558	4	SEAL RETAINER
21	114640	4	SEAL RETAINER BAR
22	116853	2	BEARING, 1-15/16", 4-Hole Flange (Inner Top)
	72760	1 per Brg.	BEARING INSERT

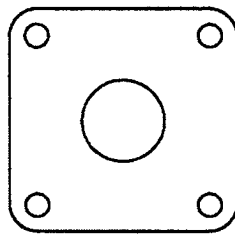


See page 10 for details of Bearing Sealing Arrangement

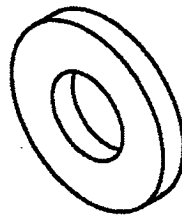
CHAIN BOX (continued)			
Ref.#	Part Number	Qty. Req'd	Description
5	66218	3	BEARING,1-15/16",4-Hole Flange (Outer Top & Bottom, Inner Bottom)
	66574	1 per Brg.	BEARING INSERT
	70157	2	GREASE TUBE (not shown)
17	67219	4	RUBBER SEAL, 2 on each Shaft, Top & Bottom
18	63140	4	FIBER GASKET, Bearing, 2 on each Shaft, Top & Bottom
19	63139	2	FELT SEAL
20	108558	4	SEAL RETAINER
21	114640	4	SEAL RETAINER BAR
22	116853	2	BEARING,1-15/16",4-Hole Flange (Inner Top)
	72760	1 per Brg.	BEARING INSERT



67219
RUBBER SEAL



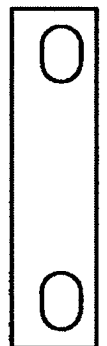
63140
FIBER GASKET



63139
FELT SEAL



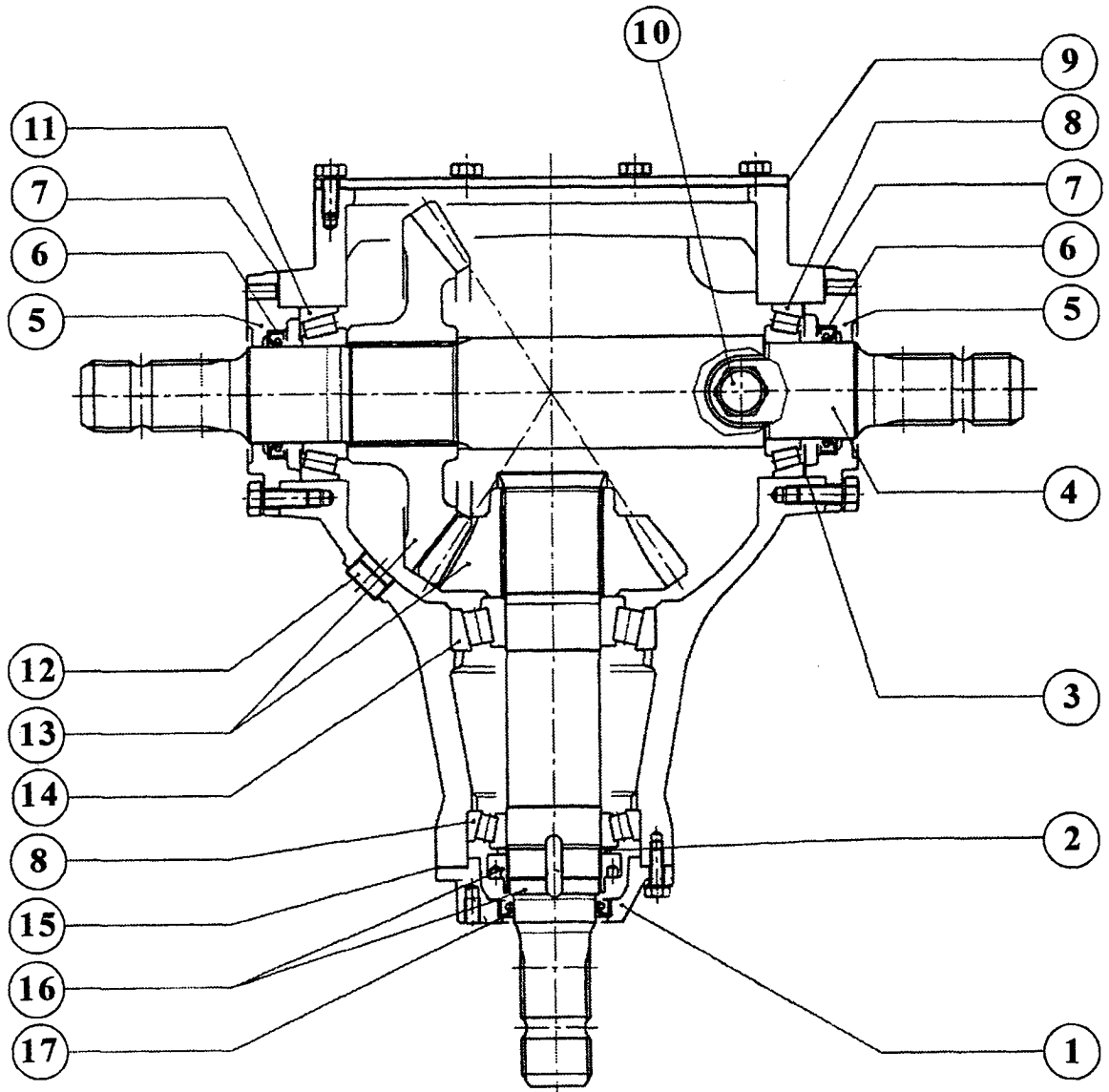
108558
SEAL RETAINER



114640
RETAINER BAR

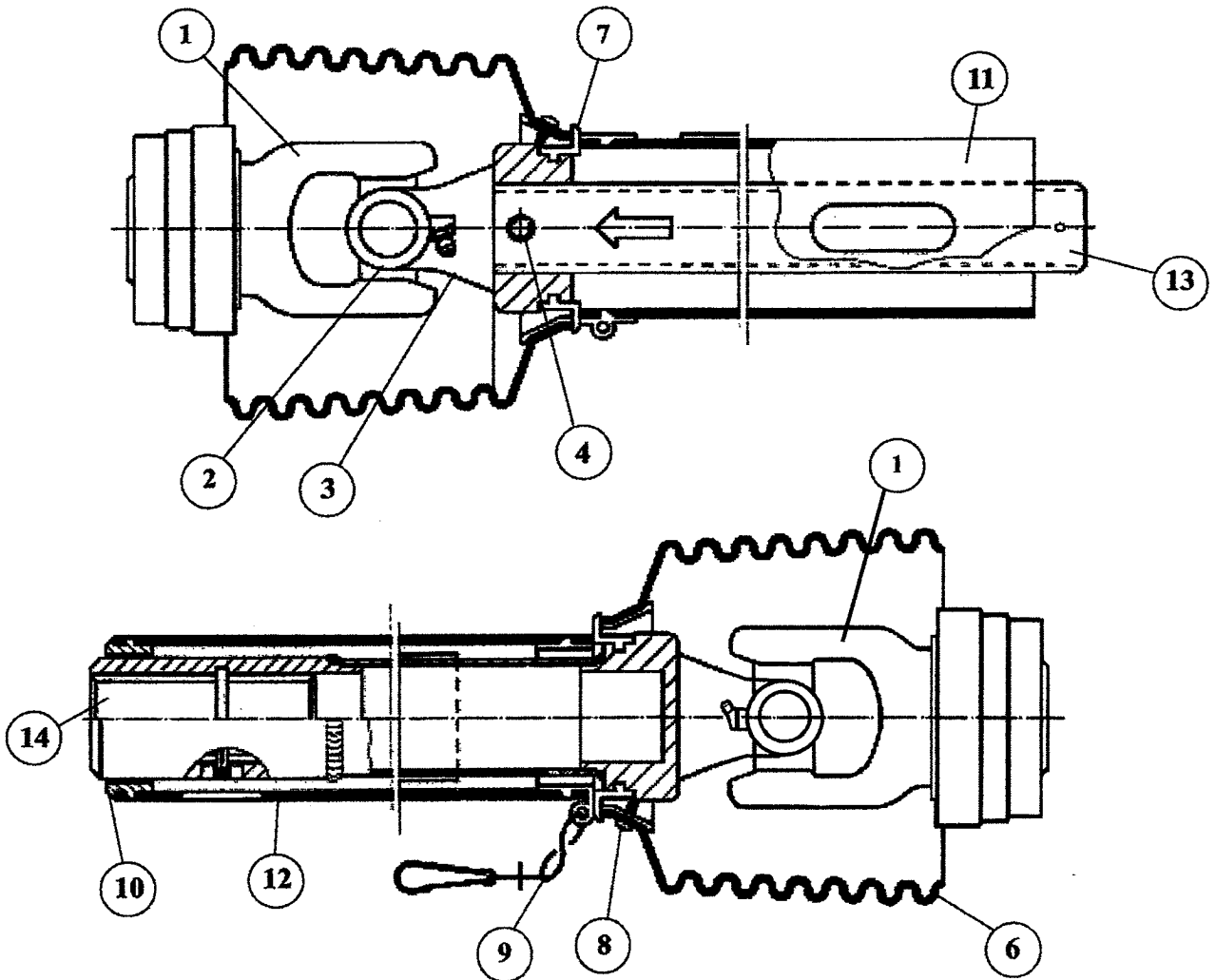
T-BOX

Ref.#	Part Number	Qty. Req'd	Description
1	72151	1	T-BOX ASSEMBLY, Extra Heavy Duty (B&P)
2	72156	1	COVER, Input Shaft
3	72162	1	WASHER, Input Shaft Bearing
4	117835	1	SHIM KIT (1 each Shim: 0.2mm,0.25mm,0.3mm,0.4mm,0.6mm,0.8mm)
5	72158	1	SHAFT, Output, Splined
6	72157	2	COVER, Output Shafts
7	72172	2	SEAL, Oil, Output Shaft
8,9,15			GASKETS (no longer used, use RTV silicone instead)
10	72168	2	BEARING, Input Shaft (front) & Output Shaft (non-geared end)
11	72174	1	BREATHER, Oil Plug
12	72169	1	BEARING, Output Shaft (geared end)
13	72173	1	PLUG, Oil
14	72175	1	GEAR SET, Input & Output
16	72170	1	BEARING, Input Shaft, Rear
17	72176	1	SHAFT, Input (with Ring Nut)
	72171	1	SEAL, Oil, Input Shaft
	117836	1	BEARING KIT (All Bearings and Seals)



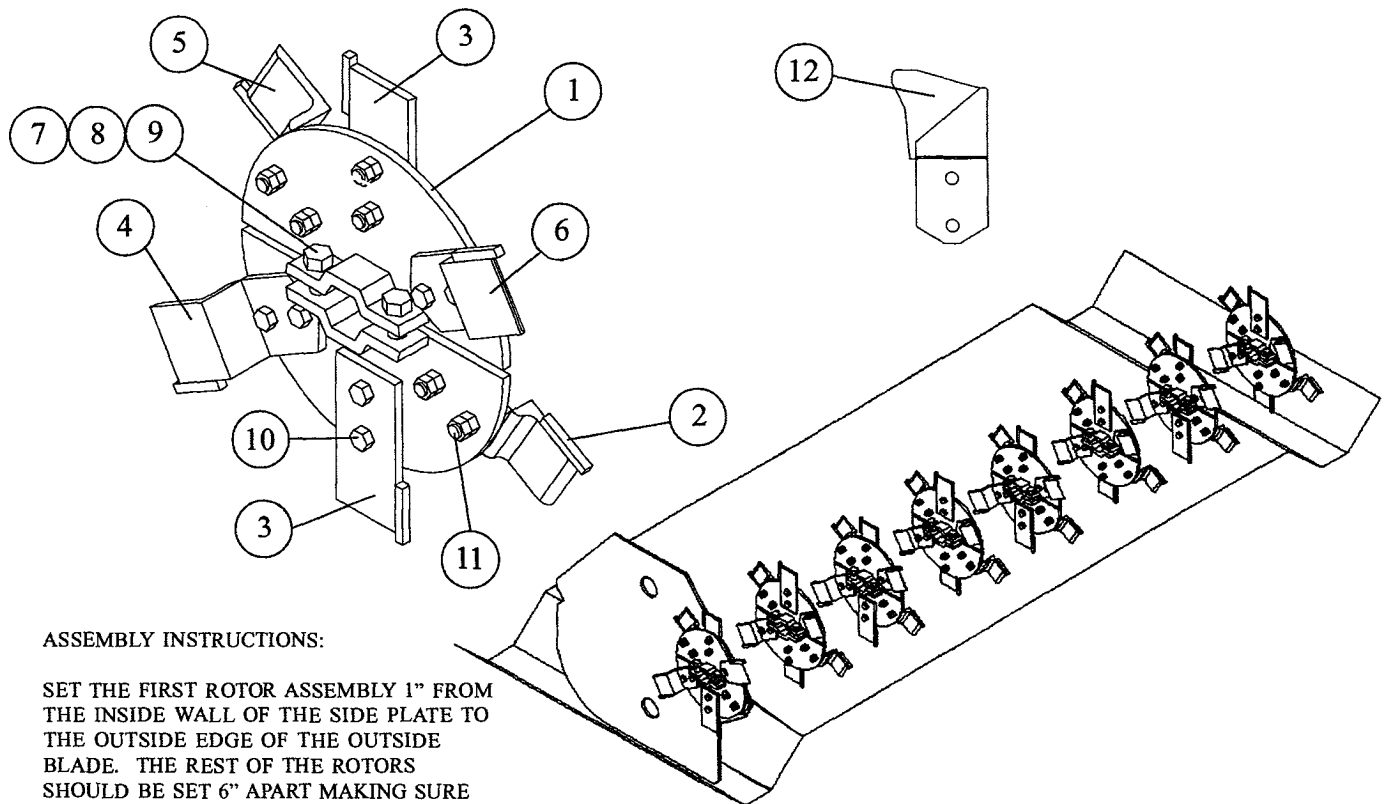
DRIVELINE

Ref.#	Part Number	Qty. Req'd	Description
1	72148		DRIVELINE ASSEMBLY, 20-Spline, 1-3/4" Splined Input & Output
	72133	2	YOKE, 20-Spline, 1-3/4"
	72449	1	COLLAR KIT, for 72133 Yoke
2	72134	2	CROSS & BEARING KIT
3	72135	1	INBOARD YOKE
4	72137	1	SPRING PIN
6	72140	2	SHIELD CONE
7	72141	2	BEARING RING
8	72142	2	SCREW, for Shield Cone
9	72143	1	SAFETY CHAIN
10	72144	1	BEARING
11	72716	1	TUBE, Inner Shield
12	72146	1	TUBE, Outer Shield
13	72138	1	SHAFT, Inner
14	72145	1	YOKE & SLEEVE WELDMENT



ROTOR ASSEMBLIES

Ref.#	Part Number	Qty. Req'd	Description
1	111227	2	ROTOR HALF
2	111692	1	1" OFFSET BLADE, RH
	111374	1	1" OFFSET BLADE, High Wear, RH (not shown)
	115429-2	1	1" OFFSET BLADE, Ultra High Wear, RH (not shown)
3	111694	2	STRAIGHT BLADE
	113476	2	STRAIGHT BLADE, High Wear (not shown)
	115431	2	STRAIGHT BLADE, Ultra High Wear (not shown)
4	111696	1	2" OFFSET BLADE, LH
	113478	1	2" OFFSET BLADE, High Wear, LH (not shown)
	115430-1	1	2" OFFSET BLADE, Ultra High Wear, LH (not shown)
	117752	3	C-SHAPED BLADE, LH (not shown)
5	111695	1	2" OFFSET BLADE, RH
	113477	1	2" OFFSET BLADE, High Wear, RH (not shown)
	115430-2	1	2" OFFSET BLADE, Ultra High Wear, RH (not shown)
	117753	3	C-SHAPED BLADE, RH (not shown)
6	111693	1	1" OFFSET BLADE, LH
	113475	1	1" OFFSET BLADE, High Wear, LH (not shown)
	115429-1	1	1" OFFSET BLADE, Ultra High Wear, LH (not shown)
7	72229	4	BOLT, Grade 5
8	Stock	4	LOCKWASHER, 5/8"
9	72434	4	NUT, 5/8"
10	72359	12	BOLT, Grade 8
11	68883	24	NUT, 1/2"
12	115242	1	CHROME TIP, Ultra High Wear



ASSEMBLY INSTRUCTIONS:

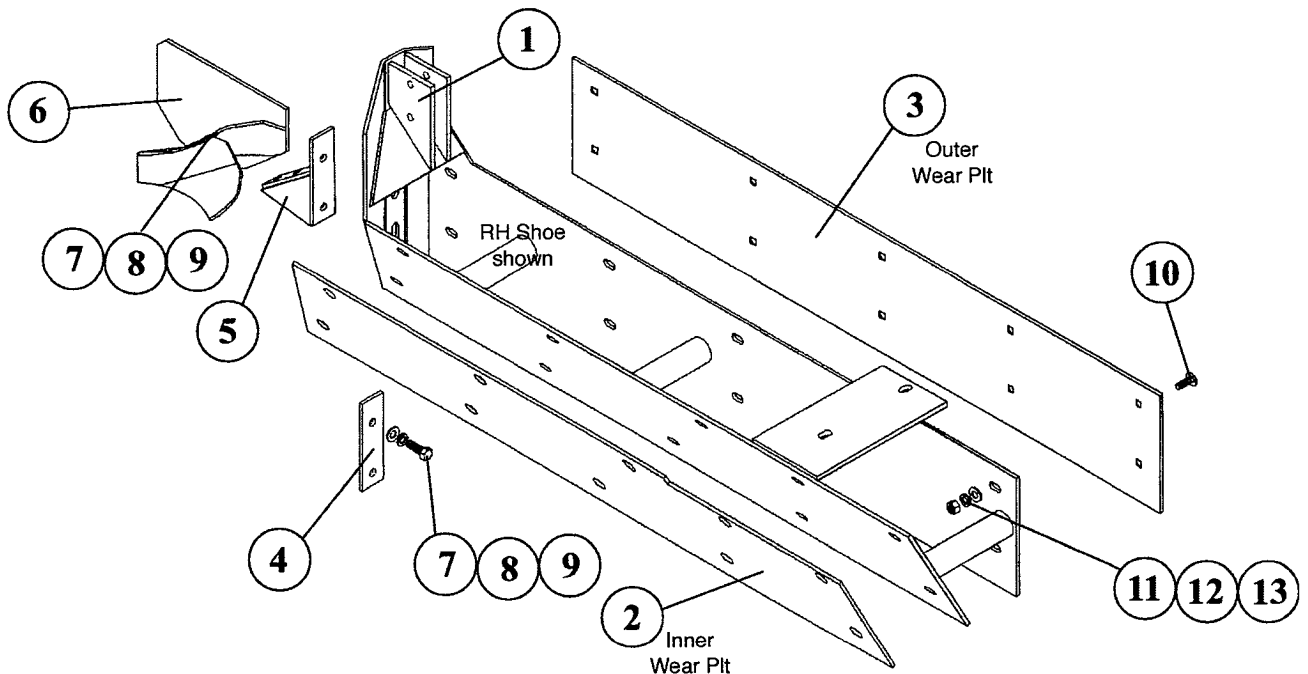
SET THE FIRST ROTOR ASSEMBLY 1" FROM THE INSIDE WALL OF THE SIDE PLATE TO THE OUTSIDE EDGE OF THE OUTSIDE BLADE. THE REST OF THE ROTORS SHOULD BE SET 6" APART MAKING SURE EVERY OTHER ROTOR IS ROTATED 180° TO BALANCE THE TILLER SHAFT.

OUTER SHOE ASSEMBLIES

Ref.#	Part Number	Qty. Req'd	Description
1	See Chart	2	OUTER SHOE ASSEMBLY
2	See Chart	1	OUTER SHOE WELDMENT
3	See Chart	1	WEAR PLATE, Inner
4	See Chart	1	WEAR PLATE, Outer
5	111616	1	ADJUSTMENT BAR
6	115065	1	SHOVEL ATTACHMENT WELDMENT
7	115394-1	1	NOSE PLATE, Furrow Opener, LH, Optional, 16"Wdx10"Deep (not shown)
8	115394-2	1	NOSE PLATE, Furrow Opener, RH, Optional, 16"Wdx10"Deep(not shown)
9	116268-1	1	NOSE PLATE, Furrow Opener, LH, Optional, 18"Wdx8"Deep (not shown)
10	116268-2	1	NOSE PLATE, Furrow Opener, RH, Optional, 18"Wdx8"Deep (not shown)
11	See Chart	1	SHOVEL, Outer Shoe
12	30263	4	BOLT, Grade 5
13	Stock	4	FLAT WASHER, LOCK WASHER, 1/2"
14	61117	11	PLOW BOLT, Grade 5
15-17	Stock	11	FLAT WASHER, LOCK WASHER, NUT, 7/16"

Furrow Depth/Width Std 5" Bottom	Outer Shoe Assembly	Ref.# 1 Outer Shoe Weldment	Ref.# 2 Inner Wear Plate	Ref.# 3 Outer Wear Plate	Ref.# 6 Outer Shovel
6"/16" - RH	114020-2	114015-2	114014-2	114019-2	113421-2
- LH	114020-1	114015-1	114014-1	114019-1	113421-1
8"/16" - RH	113760-2	113750-2	113749-2	113754-2	113421-2
- LH	113760-1	113750-1	113749-1	113754-1	113421-1
8"/18" - RH		115221-2	115220-2	113754-2	113421-2
- LH		115221-1	115220-1	113754-1	113421-1
10"/16" - RH	113132-2	112601-2	112591-2	112599-2	113421-2
- LH	113132-1	112601-1	112591-1	112599-1	113421-1
10"/18" - RH	114929-2	114928-2	114927-2	112599-2	113421-2
- LH	114929-1	114928-1	114927-1	112599-1	113421-1

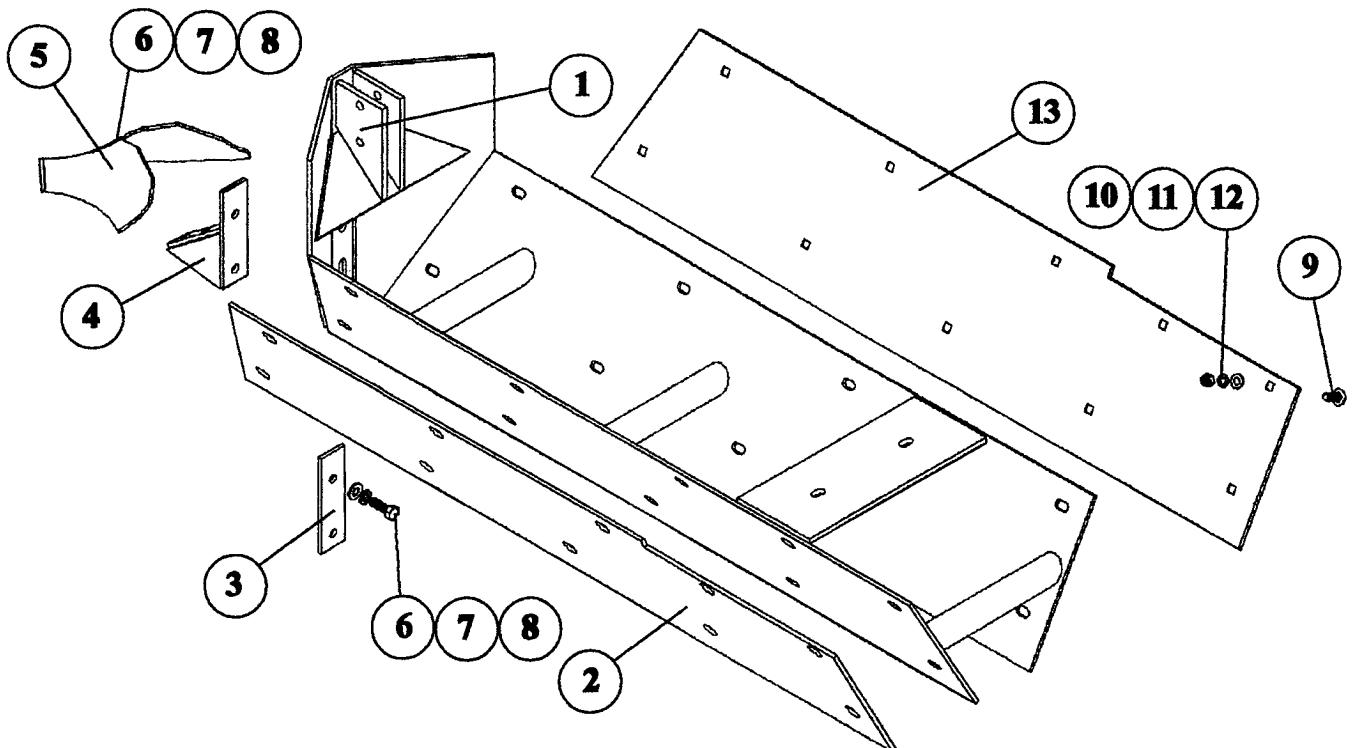
8"/16" & 10"/16" are on 60-44 units
 8"/18" & 10"/18" are on 60-42 units



INNER SHOE ASSEMBLIES

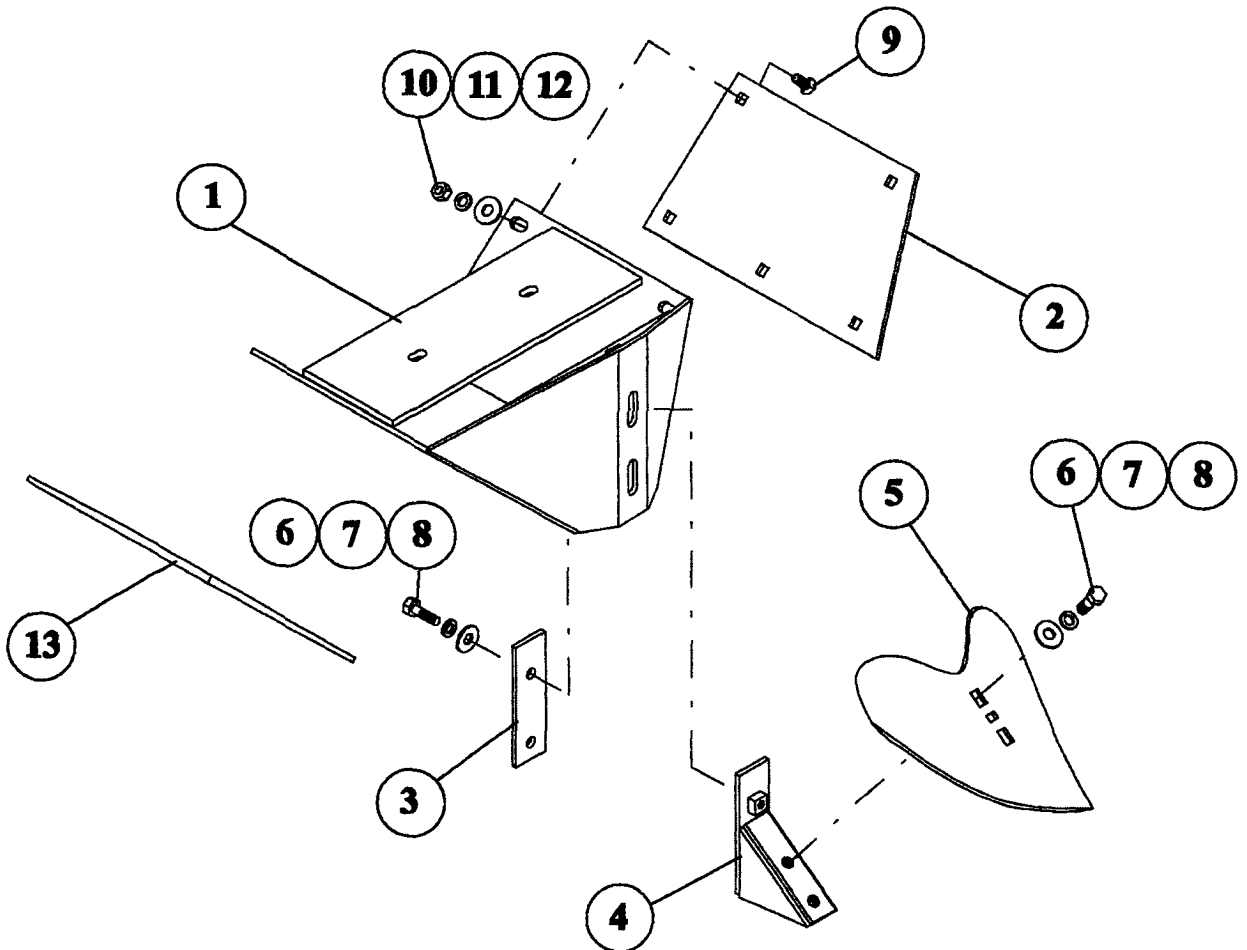
Ref.#	Part Number	Qty. Req'd	Description
1	See Chart	4	INNER SHOE ASSEMBLY
2	See Chart	1	INNER SHOE WELDMENT
3	See Chart	1	WEAR PLATE, LH
4	111616	1	ADJUSTMENT BAR
5	115065	1	SHOVEL ATTACHMENT WELDMENT
6	111733	1	SHOVEL, Inner Shoe
7,8	115393	1	NOSE PLATE, Furrow Opener, Optional, 16"Wdx10"Deep (not shown)
9	116267	1	NOSE PLATE, Furrow Opener, Optional, 18"Wdx8"Deep (not shown)
10-12	30263	4	BOLT, Grade 5
13	Stock	4	FLAT WASHER, LOCK WASHER, 1/2"
14	61117	10	PLOW BOLT, Grade 5
15	Stock	10	FLAT WASHER, LOCK WASHER, NUT, 7/16"
	See Chart	1	WEAR PLATE, RH
	114616	1	FRONT SHANK (not shown)
	113809	1	REAR SHANK (not shown)

Furrow Depth/Width	Inner Shoe Assembly	Ref.# 1 Inner Shoe Weldment	Ref.# 2 LH Wear Plate	Ref.# 13 RH Wear Plate
6"/16"	114009	114010	114014-1	114014-2
8"/16"	113759	113745	113749-1	113749-2
8"/18"		115215	115220-1	115220-2
10"/16"	113131	112596	112591-1	112591-2
10"/18"	114925	114924	114927-1	114927-2



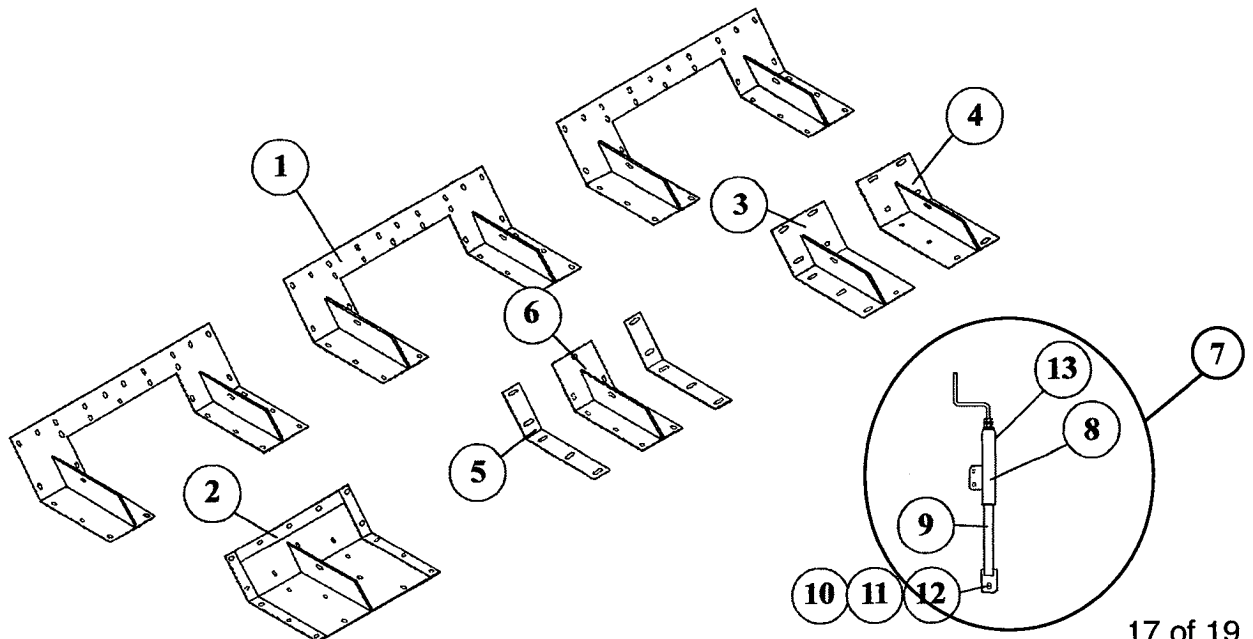
OPTIONAL SHOE TO SPLIT BEDS

Ref.#	Part Number	Qty. Req'd	Description
	113731	1	INNER SHOE ASSEMBLY, 10" Deep Furrow
1	113730	1	INNER SHOE WELDMENT
2	113732-1	1	WEAR PLATE, LH
3	111616	1	ADJUSTMENT BAR
4	115065	1	SHOVEL ATTACHMENT WELDMENT
5	111733	1	SHOVEL, Inner Shoe
6	30263	4	BOLT, Grade 5
7	Stock	4	FLAT WASHER, 1/2"
8	Stock	4	LOCK WASHER, 1/2"
9	61117	10	PLOW BOLT, Grade 5
10	Stock	10	FLAT WASHER, 7/16"
11	Stock	10	LOCK WASHER, 7/16"
12	Stock	10	NUT, 7/16"
13	113732-2	1	WEAR PLATE, RH



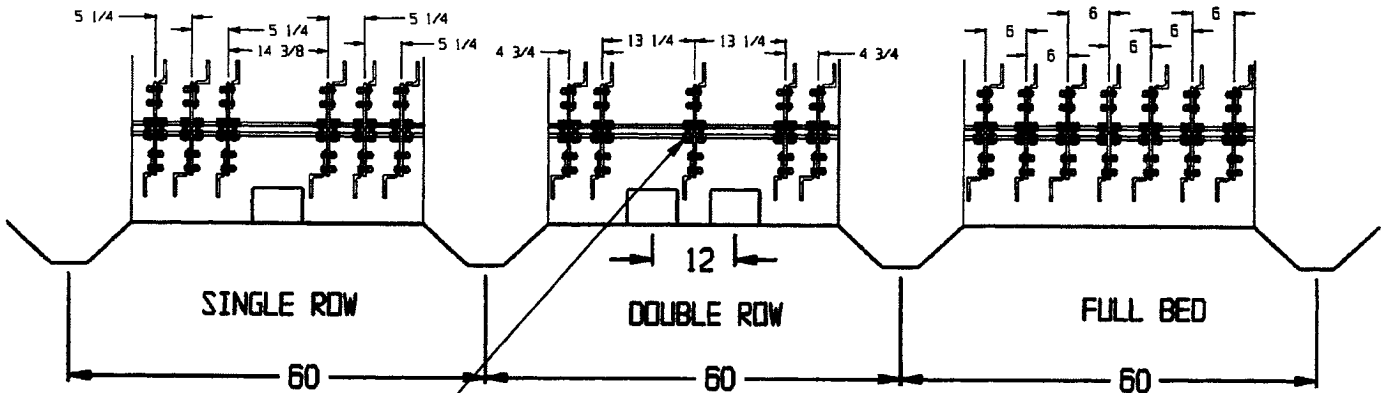
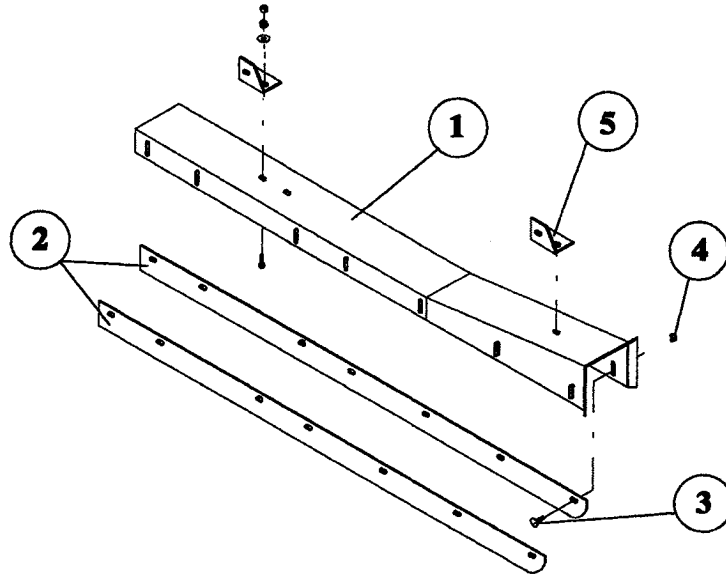
REAR DOORS & FILLER PLATES

Ref.#	Part Number	Qty. Req'd	Description
1	113540	5	DOOR WELDMENT, 560-44 & 660-44
	117795	5	DOOR WELDMENT, 660-44 s/n 5784
	114815	5	DOOR WELDMENT, AR Plate, 566-48
	116917	5	DOOR WELDMENT, 572-54
2	114901	5	FILLER PLATE, Full Bed Mode
	117805	5	FILLER PLATE, Full Bed Mode, 660-44 s/n 5784
	114831	5	FILLER PLATE, Full Bed Mode, AR Plate, 566-48
3	113546-1	5	FILLER PLATE, LH Single Row, 60" & 66"
	117797-1	5	FILLER PLATE, LH Single Row, 660-44 s/n 5784
	114937-1	5	FILLER PLATE, LH Single Row, AR Plate, 566-48
4	113546-2	5	FILLER PLATE, RH Single Row, 60" & 66"
	117797-2	5	FILLER PLATE, RH Single Row, 660-44 s/n 5784
	114937-2	5	FILLER PLATE, RH Single Row, AR Plate, 566-48
5	113548	10	SIDE FILLER PLATE, Double Row 12", 14" & 6", 60-44
6	113544-1	5	CENTER FILLER PLATE, Double Row 14"
	113544-3	5	CENTER FILLER PLATE, Double Row 12"
	114939-1	5	CENTER FILLER PLATE, Double Row 14", AR Plate, 566-48
7	113556	1	DOOR ADJUSTER ASSEMBLY (includes items 8 thru13)
8	113469	1	DOOR ADJUSTER WELDMENT, Upper
9	113554	1	DOOR ADJUSTER WELDMENT, Lower
10,11	Stock	1	BOLT, WASHER, 1/2"
12	69261	1	NUT, 1/2"
13	66919	1	GREASE FITTING
14	113549	5	UHMW, Full Bed, 560-44 & 660-44 (not shown)
	117794	5	UHMW, Full Bed, 660-44 s/n 5784 (not shown)
	116918	5	UHMW, Full Bed, 572-54 (not shown)
15	113550-1	5	UHMW, LH Single Row, 60-44 (not shown)
16	113550-2	5	UHMW, RH Single Row, 60-44 (not shown)
17	113551-1	5	UHMW, Center, Double Row 14" (not shown)
	113551-3	5	UHMW, Center, Double Row 12" (not shown)
18	113553-1	5	UHMW, LH Double Row 14", 60-44 (not shown)
	113553-5	5	UHMW, LH Double Row 12", 60-44 (not shown)
	117102-1	5	UHMW, LH Double Row 12", 72-52 (not shown)
19	113553-2	5	UHMW, RH Double Row 14", 60-44 (not shown)
	113553-6	5	UHMW, RH Double Row 12", 60-44 (not shown)
	117102-2	5	UHMW, RH Double Row 12", 72-52 (not shown)

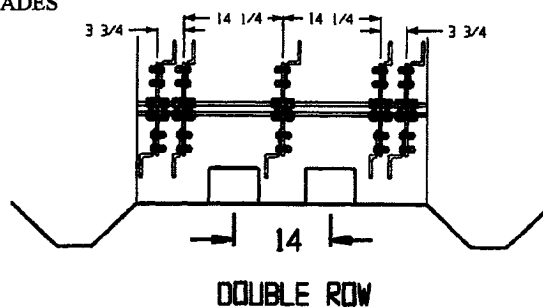


PLANT TUNNEL ASSEMBLIES

Ref.#	Part Number	Qty. Req'd	Description
	113626		TUNNEL ASSEMBLY
1	111071	1	TOP COVER, Tunnel
2	111669	2	SIDE RUNNER, Tunnel
3	Stock	16	CARRIAGE BOLT, 1/2"
4	72675	16	NUT, 1/2"
5	111673	2	ANGLE BRACKET, Front & Rear
6	113557	1	SHANK, Rear, with slot (not shown)
7	111674	1	SHANK, Front, no slot (not shown)
8	113761	1	SHANK, Rear Offset, Center, Double Row 14" (not shown)



NOTE: REPLACE 2" OFFSET
BLADES WITH 1" OFFSET BLADES
FOR DOUBLE ROW 12"



GAUGE WHEEL ASSEMBLY

Ref.#	Part Number	Qty. Req'd	Description
	113645	1	GAUGE WHEEL ASSEMBLY, LH Less Wheel & Tire
	113644	1	GAUGE WHEEL ASSEMBLY, RH Less Wheel & Tire
1	63084	1	SPINDLE WELDMENT, LH
	63082	1	SPINDLE WELDMENT, RH
2	107499	1	TURNBUCKLE WELDMENT
3	107999	1	TIRE & WHEEL ASSEMBLY
	63083	1	WHEEL
	70069	1	TIRE
4	63130	1	WHEEL HUB
5	62307	1	SEAL, Oil
6	64860	1	BEARING, Cone, Outer
7	64861	1	BEARING, Cup, Inner
8	67922	1	BEARING, Cup, Outer
9	64862	1	BEARING, Cone, Inner
10	67084	5	NUT, Lug
11	111737	2	PIN, Turnbuckle
12	71884	2	BOLT
13	107218	2	MOUNT WELDMENT
15	107221	1	TURNBUCKLE SUPPORT WELDMENT
16	69263	2	NYLOCK NUT, 3/4"
18	70486	1	WASHER
19	70485	1	NUT
20	63153	1	DUST CAP
21	70487	4	COTTER PIN

