



**FARM MACHINERY**

Parts & Maintenance Manual

MD Series POWER MULCHER

s/n xxxx  
model: xxxx-xx

## SAFETY

### **FAILURE TO UNDERSTAND AND FOLLOW THESE SAFETY INSTRUCTIONS MAY RESULT IN SERIOUS PERSONAL INJURY.**

1. Do not allow anyone to operate the Mulcher without proper training in both it's operation and these safety precautions.
2. Use extreme caution when hitching the Mulcher to the tractor. Do not stand between the tractor and the Mulcher when the tractor driver is operating the tractor.
3. Stay clear of the rotating P.T.O. driveline when tractor is running. Never operate the P.T.O. without the safety shields in place.
4. Do not open the top access doors on the Mulcher while the Mulcher is running.
5. Do not walk or stand in front of the Mulcher when the tractor is moving.
6. Support the Mulcher before working under it. It is preferred that heavy steel stands are used to support the Mulcher. If stands are not available, large wooden blocks may be used. Use wooden blocks of sufficient size to hold the Mulcher at the desired height. **Never stack blocks on top of each other to gain more height off the ground. Stacked blocks may not be stable and the weight of the Mulcher may cause the blocks to shift and allow the incorporator to fall causing serious personal injury.**

To properly support the Mulcher, lift it with the tractor hitch, place the stands or large wooden blocks under each outer side plate and lower the Mulcher onto the stands or blocks. Place the tractor transmission into Park and turn off the tractor engine. Check to make sure the Mulcher is securely supported by the stands or blocks.

### **WARNING**

After initial installation, be sure to cycle the three point hitch from the fully raised position to the fully lowered position to verify that the P.T.O. driveline does not bottom out or pull out.

## MAINTENANCE

### Daily or every 8 hours of operation:

1. Open the top access doors and inspect for any loose or broken parts. Ensure that all the rotors and/or blades are securely fastened and that the blades are not excessively worn.
2. Grease the upper drive shaft bearings. Use one pump of grease per bearing.
3. Grease the hex shaft carrier bearings. Use one pump of grease per bearing. Close and fasten the top access doors.
4. Make a visual check of the T-box for any oil leaks. If leaks are evident, repair them and check the oil level. Fill with 80-90 weight oil to the lower drain plug.
5. Grease universal joints on P.T.O. driveline. Use one pump of grease per joint.
6. Inspect inner and outer P.T.O. shields for damage and freedom of rotation. Replace any shields that do not rotate freely.
7. Check the connection of the P.T.O. to the T-box input shaft to ensure it is securely fastened.
8. Check oil levels in chain boxes. Fill with 80-90 weight oil to the lower drain plug.
9. Grease chain box bearings. Use one pump of grease per bearing.
10. Check the chain tension. The chain should have no more than 1/4" deflection. Be careful not to overtighten. Note: Loosen the two nuts on the outside of the chain box housing before adjusting the tensioning bolt. Re-tighten these two nuts after the chain has been tensioned.

### Weekly or every 40 hours of operation:

1. Grease the P.T.O. driveline shaft through the inner sleeve (two grease fittings). Use two pumps of grease for each fitting.
2. Grease the P.T.O. shield bearings.
3. Inspect the furrowing out shovels and shoe wear plates for excessive wear and replace as necessary.
4. Check the gauge wheel lug nuts for tightness.
5. Check the gauge wheel hubs for proper fit to spindles.

### Annually:

1. Change the oil in the T-box.
2. Re-pack the gauge wheel bearings with wheel bearing grease and replace seals.
3. Inspect the hex shafts for cracks.
3. Inspect all bearings for excessive wear and replace as necessary.
4. Inspect the P.T.O. shaft and universal joints for wear.
5. Change the oil in the chain boxes.

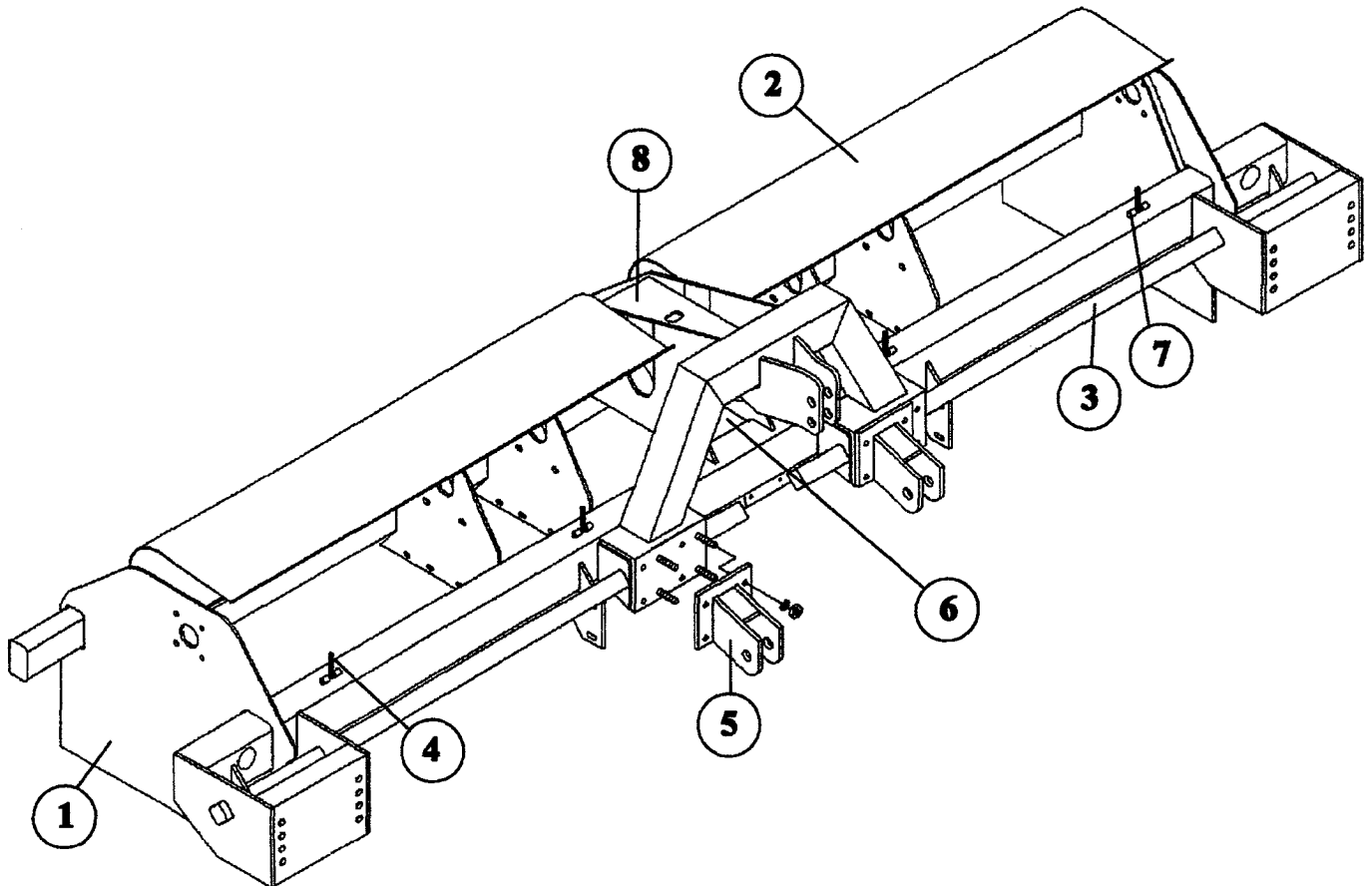
# PARTS CATALOG

## TABLE OF CONTENTS

	PAGES
Main Frame Assembly	5
Chain Drives and Shafts - Keyed Input Shaft T-Box	6
Chain Drives and Shafts - Splined Input Shaft T-Box	7
Optional Heavy Duty Chain Drive and Shafts	8
Chain Box	9
T-Box - Keyed Input Shaft	10
T-Box - Splined Input Shaft	11
Optional Extra Heavy Duty T-Box (Splined Input Shaft)	12
Driveline	13
Rotor Assemblies	14
I-Blade Tiller Assemblies	15
Outer Shoe Assemblies	16
Inner Shoe Assemblies	17
Optional Shoe to Split Beds	18
Rear Doors & Filler Plates	19
Plant Tunnel Assemblies	20
Gauge Wheel Assembly	21
UHMW Liners	22
End Tow	23

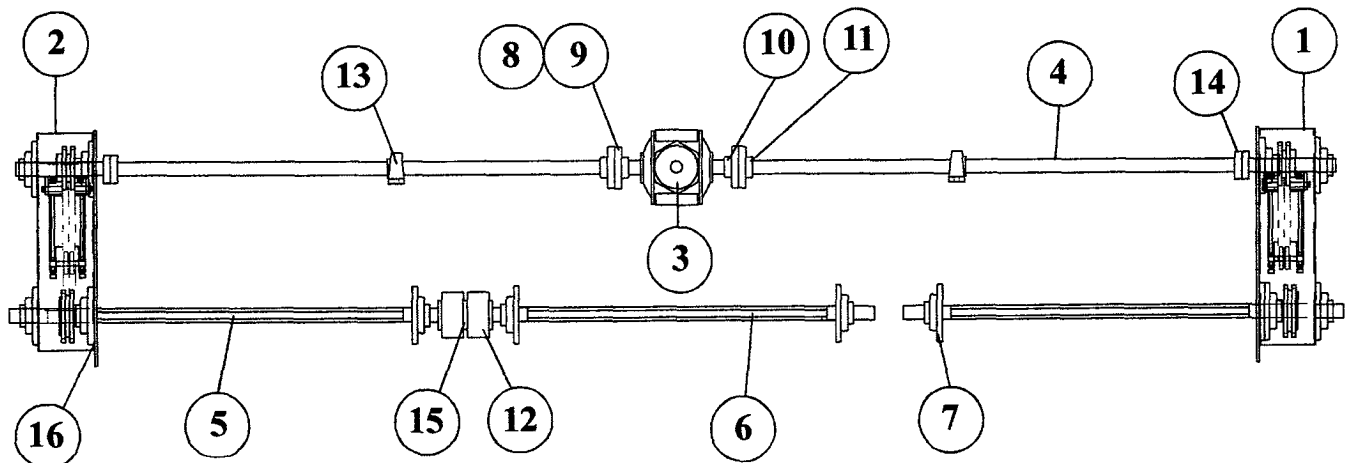
## MAIN FRAME ASSEMBLY

Ref.#	Part Number	Qty. Req'd	Description
1	112589	2	SIDE PLATE
2	113487-1	2	DOOR WELDMENT, Top, 360
	113487-7	2	DOOR WELDMENT, Top, 364
	113487-2	2	DOOR WELDMENT, Top, 366
	113487-3	2	DOOR WELDMENT, Top, 440
	113487-5	4	DOOR WELDMENT, Top, 380
3	100977-35	2	TOOL BAR, Front, 360
	100977-52	2	TOOL BAR, Front, 364
	100977-36	2	TOOL BAR, Front, 366
	100977-37	2	TOOL BAR, Front, 440
	100977-40	2	TOOL BAR, Front, 380
4	107115	4	LATCH WELDMENT, Cover (used on older style frames)
	108269	4	WING NUT WELDMENT (not shown)(used on older style frames)
	116524	4 per door	CONNECTOR BAR (used on newer style frames in lieu of p/n 107115)
	116252-1 &-2	as req'd	DOOR CLOSURE BRACKET (bolts onto door, used with p/n 116524)
	71323	2 per door	SNAP PIN (connects p/n116252-1&-2 to p/n116254) 100530-1 is Chain
5	108463	2	HITCH WELDMENT, Lower
	108553	2	HITCH PIN, Lower, Category 3 (not shown)
	108556	2	HITCH PIN, Lower, Category 2 (not shown)
	113699	1	HITCH PIN, Upper (not shown)
	61151	3	LYNCH PIN (not shown)
6	113741	1	BOTTOM PLATE
7	107098	8	PIVOT TUBE
8	113742	1	T-BOX TOP COVER WELDMENT
9	113642	8	SIDE PLATE SHIELD WELDMENT, Top Shaft (not shown)
10	113560	8	SHIELD BRACKET WELDMENT, Lower Shaft (not shown)



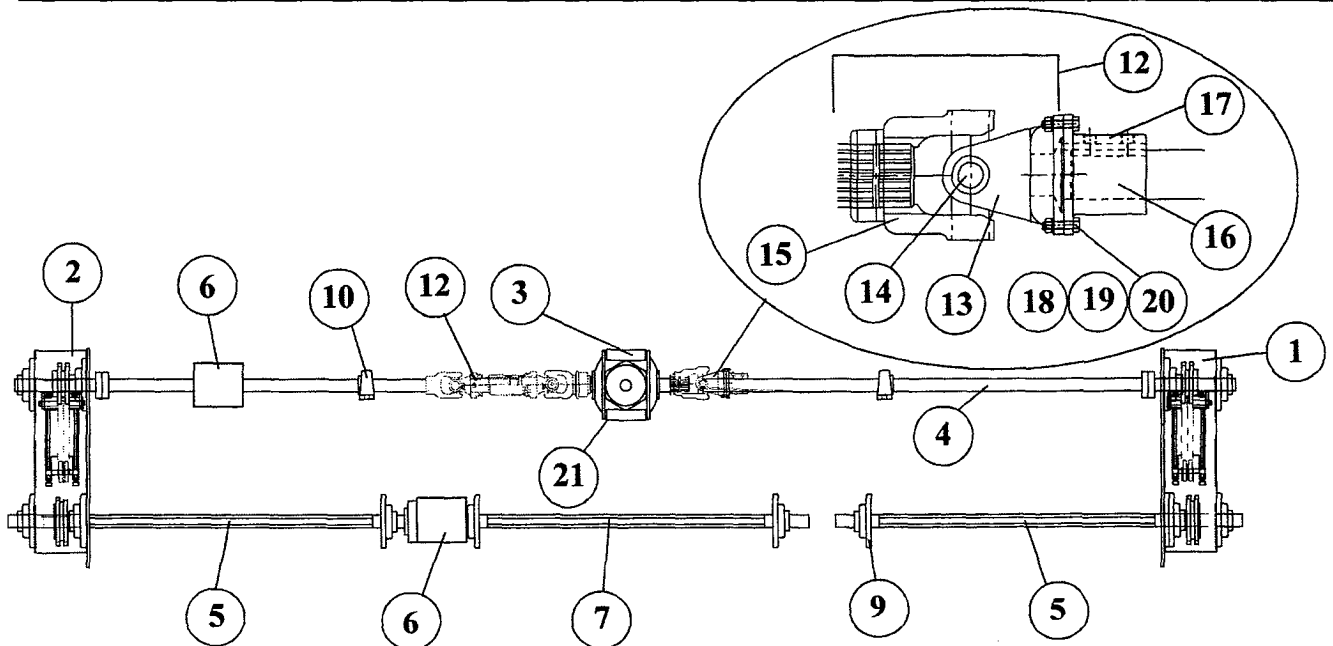
## CHAIN DRIVES and SHAFTS - Keyed Input Shaft T-Box

Ref.#	Part Number	Qty. Req'd	Description
1	107398-4	1	CHAIN BOX ASSEMBLY, LH
2	107398-3	1	CHAIN BOX ASSEMBLY, RH
3	70160	1	T-BOX
4	112715-1	2	SHAFT, Top, 360
	112715-8	2	SHAFT, Top, 364-46 (see note below item#17)
	112715-9	2	SHAFT, Top, 366-48
	112715-3	2	SHAFT, Top, 366-50
	112715-4	2	SHAFT, Top, 440
	112715-1	2	SHAFT, Top, 380
5	113638	2	SHAFT, Bottom, 2" Hex, Chain Box, 360
	114933-3	2	SHAFT, Bottom, 2" Hex, Chain Box, 364-46
	114933	2	SHAFT, Bottom, 2" Hex, Chain Box, 366-48
	113638-1	2	SHAFT, Bottom, 2" Hex, Chain Box, 366-50
	113638-2	2	SHAFT, Bottom, 2" Hex, Chain Box, 380
	113638-3	2	SHAFT, Bottom, 2" Hex, Chain Box, 440
6	113639	1	SHAFT, Bottom, 2" Hex, Center, 360
	114934-3	1	SHAFT, Bottom, 2" Hex, Center, 364-46
	114934	1	SHAFT, Bottom, 2" Hex, Center, 366-48
	113639-1	1	SHAFT, Bottom, 2" Hex, Center, 366-50
	113639-2	1	SHAFT, Bottom, 2" Hex, Center, 380
	113639-3	1	SHAFT, Bottom, 2" Hex, Center, 440-24
7	66218	12	BEARING, 1-15/16", 4-Hole Flange
	66574	1 per	INSERT
8	66875	8	COUPLER HALF, Chain
9	67036	4	CHAIN, Coupler
10	64635	2	HUB, T-Box to Output Shaft, 2"
11	66210	6	HUB, Shaft to Chain Box, 1-15/16"
12	109290	4	COVER, Chain Coupler
	71312	1 per	SEAL KIT
13	66588	2	BEARING, Pillow Block, 1-15/16"
	66574	1 per	INSERT
14	107277	2	DUST COVER WELDMENT
15	113641	1 per	COUPLER HALF WELDMENT
	115403	1	SOLID CONNECTION COUPLER (not shown)
16	67219	8	OIL SEAL
17	Note		for Optional Shear Bolt Shafts (see pg. 13)
18	114718	1	CONNECTION COUPLER, Lower Shaft (not shown)



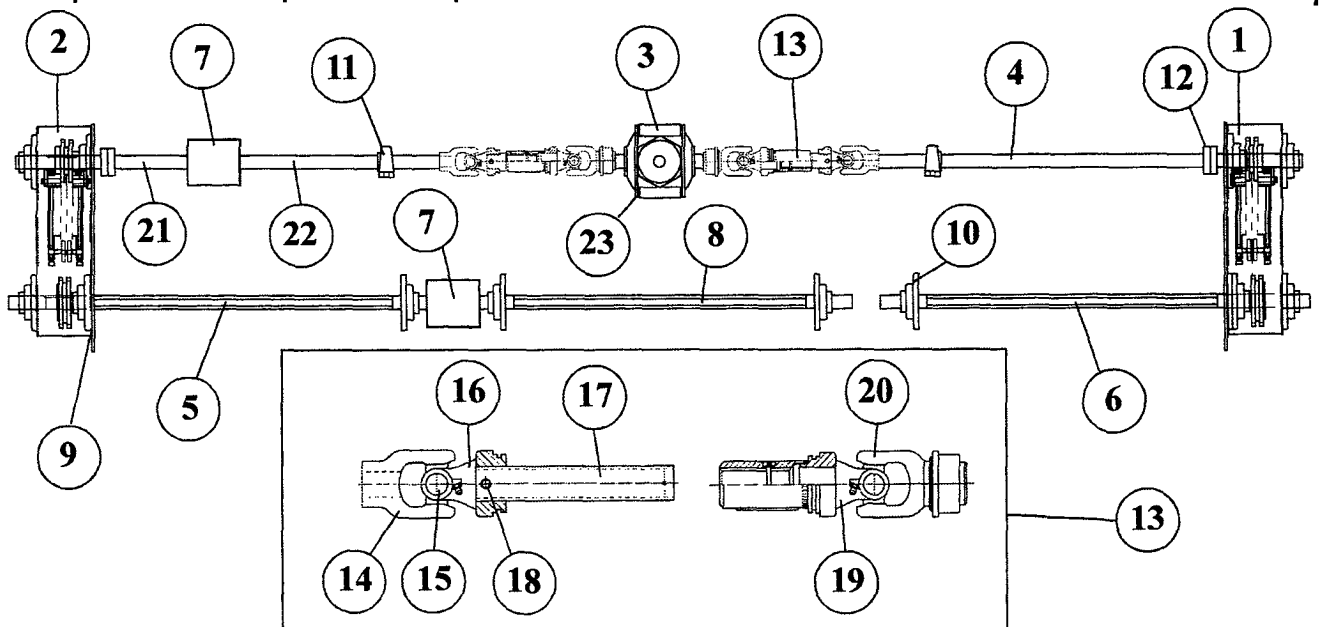
## CHAIN DRIVES and SHAFTS - Splined Input Shaft T-Box

Ref.#	Part Number	Qty. Req'd	Description
1	107398-4	1	CHAIN BOX ASSEMBLY, LH
2	107398-3	1	CHAIN BOX ASSEMBLY, RH
3	72532	1	T-BOX
4	112715-20	1	SHAFT, Top, 360-42, w/Shear Bolt Clutch
	112715-16	2	SHAFT, Top, 372-54
	112715-19	2	SHAFT, Top, 440-22
	112715-14	2	SHAFT, Top, 440-24 Special
	112715-18	2	SHAFT, Top, 440-24, w/Shear Bolt Clutch
5	114933-9	2	SHAFT, Bottom, 2" Hex, Chain Box, 360-42
	114933-7	2	SHAFT, Bottom, 2" Hex, Chain Box, 372-54
	114933-8	2	SHAFT, Bottom, 2" Hex, Chain Box, 440-21
	114933-6	2	SHAFT, Bottom, 2" Hex, Chain Box, 440-22
	114933-2	2	SHAFT, Bottom, 2" Hex, Chain Box, 440-24
6	115403	1	CONNECTING COUPLER ASSY, Solid Steel
	115402	1	CONNECTING COUPLER
7	114934-1	1	SHAFT, Bottom, 2" Hex, Center, 360-42
	114934-5	1	SHAFT, Bottom, 2" Hex, Center, 372-54
	117488	2	SHAFT, Bottom, 2" Hex, Center, 440-21
	114934-2	2	SHAFT, Bottom, 2" Hex, Center, 440-22
	114934-6	2	SHAFT, Bottom, 2" Hex, Center, 440-24
9	66218	12	BEARING, 1-15/16", 4-Hole Flange
	66574	1 per	INSERT
10	66588	2	BEARING, Pillow Block, 1-15/16"
	66574	1 per	INSERT
12	72524	2	TOP SHAFT DRIVELINE ASSY, 366 & smaller
	72183	2	TOP SHAFT DRIVELINE ASSY, 372 & larger (see pg.8)
	Note		for Optional Shear Bolt Shafts (see pg. 13)
13	72602	1	FLANGE YOKE
14	72185	2	CROSS & BEARING KIT
15	72190	1	YOKE
	72373	1	COLLAR KIT (not shown)
16	116393	2	CONNECTOR COUPLER
17	101186-9	4	KEY
18-20	71227	16	BOLT, 5/16" STOCK - Lock Washer & Nut
21	72346	4	BOLT, T-Box Mount



## OPTIONAL HEAVY DUTY CHAIN DRIVES and SHAFTS

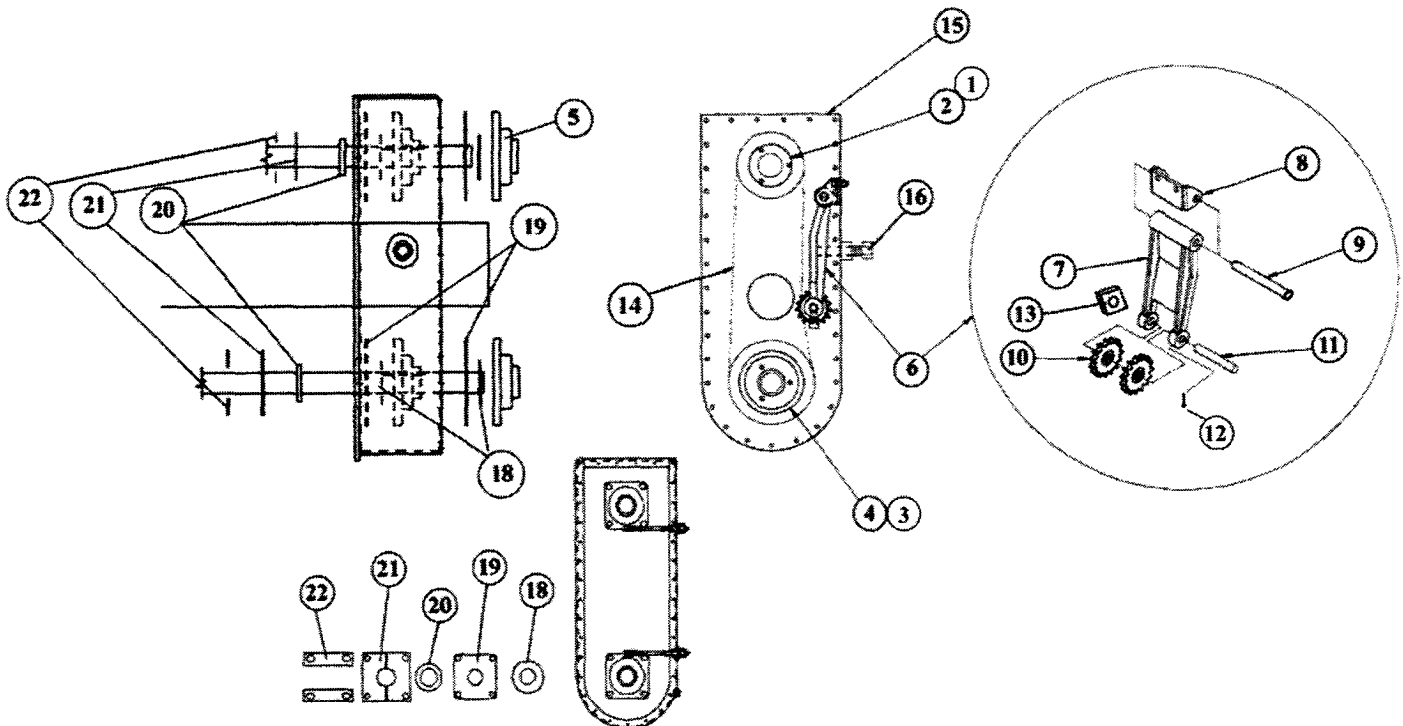
Ref.#	Part Number	Qty. Req'd	Description
1	107398-4	1	CHAIN BOX ASSEMBLY, LH
2	107398-3	1	CHAIN BOX ASSEMBLY, RH
3	72151	1	T-BOX, Extra Heavy Duty
4	112715-11	2	SHAFT, Top,380-70, Non-Shear Bolt Clutch
	112715-15	2	SHAFT, Top,380-64, w/Shear Bolt Clutch
	112715-13	2	SHAFT, Top,840-24, Non-Shear Bolt Clutch
5	115368	1	SHAFT, Bottom,2" Hex, Chain Box,RH,380-70
	114933-5	2	SHAFT, Bottom,2" Hex, Chain Box,380-64,840
6	115370	1	SHAFT, Bottom,2" Hex, Chain Box,LH,380-70
7	115403	1	CONNECTING COUPLER ASSY, Solid Steel
	115402	1	CONNECTING COUPLER
	72698	1	COUPLER, Grid
	72699	1	COVER
	72700	2	HUB
	72701	1	GRID
8	115369	1	SHAFT, Bottom, 2" Hex, Center, 380-70
	114934-4	1	SHAFT, Bottom, 2" Hex, Center, 380-64, 840 Qty2
9	67219	8	OIL SEAL
10	66218	12	BEARING, 1-15/16", 4-Hole Flange
	66574	1 per	INSERT
11	66588	2	BEARING, Pillow Block, 1-15/16"
	66574	1 per	INSERT
12	107277	2	DUST COVER WELDMENT
13	72183	2	TOP SHAFT DRIVELINE ASSY, 372 & larger
	Note		for Optional Shear Bolt Shafts (see pg. 13)
14	72184	1	FLANGE YOKE
15	72185	2	CROSS & BEARING KIT
16	72186	1	INBOARD YOKE
17	72187	1	INNER PROFILE
18	72188	1	SPRING PIN
19	72189	1	YOKE & SLEEVE
20	72190	1	YOKE
	72373	1	COLLAR KIT (not shown)
21	115770-1	2	SHAFT, Top, Chain Box End, 840
22	115771-1	2	SHAFT, Top, T-Box End, 840
23	72346	4	BOLT, T-Box Mount





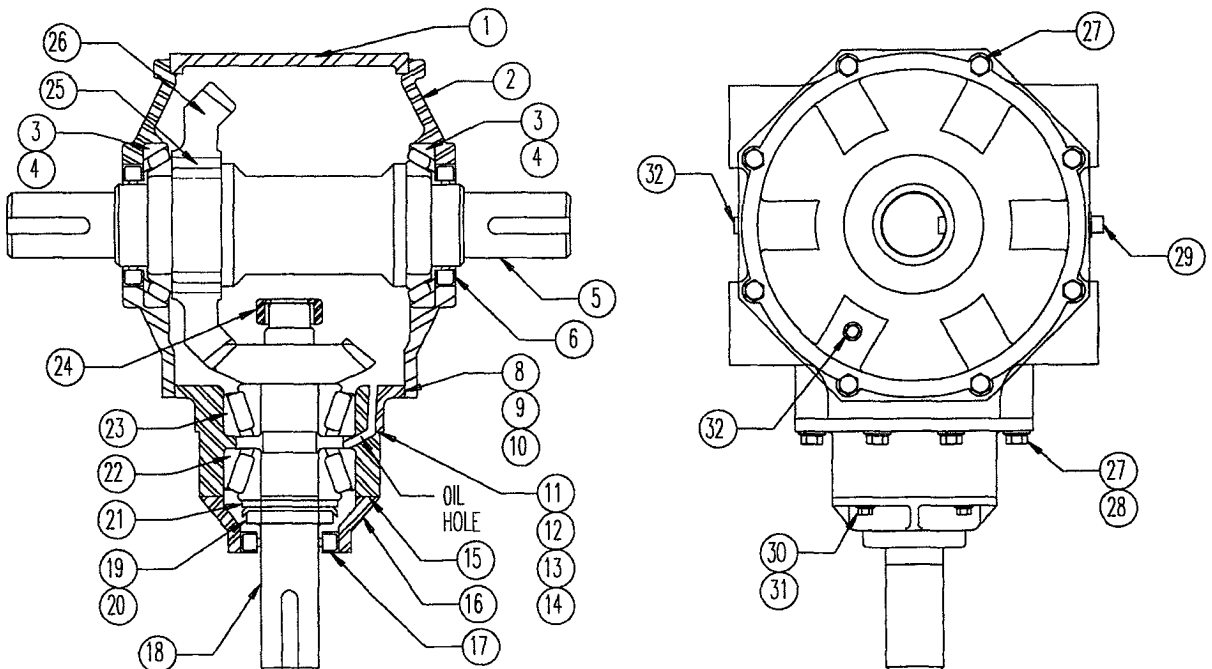
## CHAIN BOX

Ref.#	Part Number	Qty. Req'd	Description
1	63179	1	SPROCKET, Top, Keyed Input Shaft T-Box
	62479	1	SPROCKET, Top, Splined Input Shaft T-Box
	71723	1	SPROCKET, Top, T80 Chain
2	66210	1	HUB, Top
	66821	1	HUB, Top, T80 Chain
3	63181	1	SPROCKET, Bottom, Keyed Input Shaft T-Box
	62480	1	SPROCKET, Bottom, Splined Input Shaft T-Box
	71724	1	SPROCKET, Bottom, T80 Chain
4	66228	1	HUB, Bottom
5	66218	12	BEARING, 1-15/16", 4-Hole Flange      Insert is p/n 66574
	70157	2	GREASE TUBE (not shown)
6	108330	1	IDLER ASSEMBLY      Optional T80 Idler Assy is p/n 114712
7	107326	1	FRAME WELDMNT, Chain Idler
	114709	1	FRAME WELDMNT, Chain Idler, T80
8	107332	1	MOUNT BRACKET
9	107335	1	PIN, Mount Bracket
10	66232	2	SPROCKET, Idler      Qty. for T80 is 3
11	107331-1	1	PIN, Idler Sprocket
	114713	1	PIN, Idler Sprocket, T80
12	70477	2	SET SCREW
13	114714	1	SQUARE WASHER, Sprocket Pin, for T80 only
14	72810	2	CHAIN ASSEMBLY, D80      Optional T80 Chain Assy is p/n 72777
15	107398-3	1	CHAIN BOX ASSEMBLY, RH      LH is p/n 107398-4
16	69657	1	BOLT, Chain Tensioner
	117810	1	BOLT, Chain Tensioner, 360-42
17	30592	2	COTTER PIN, for T80 only (not shown)
18	67219	4	RUBBER SEAL, 2 on each Shaft, Top & Bottom
19	63140	4	GASKET, Bearing, 2 on each Shaft, Top & Bottom
20	63139	2	FELT SEAL
21	108558	4	SEAL RETAINER
22	114640	4	SEAL RETAINER BAR



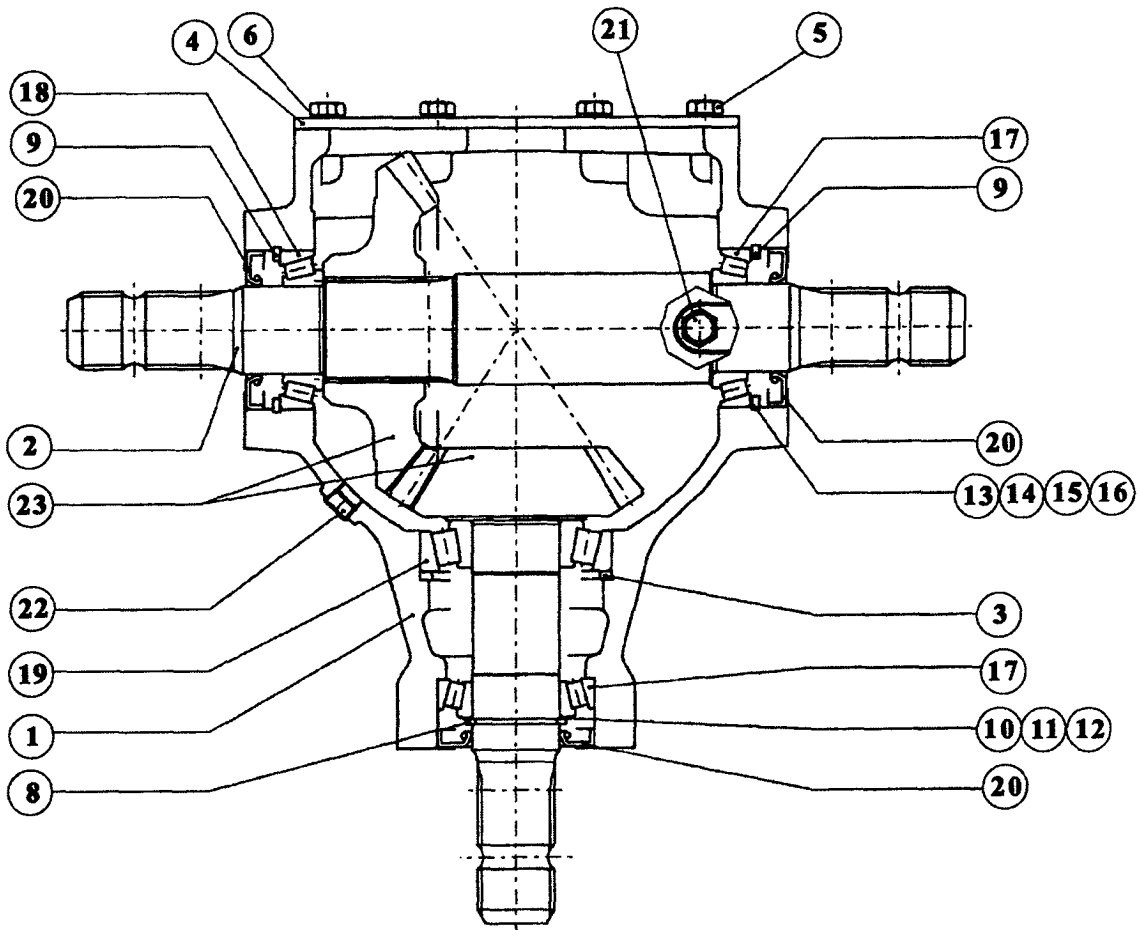
## T-BOX - Keyed Input Shaft

Ref.#	Part Number	Qty. Req'd	Description
	70160		T-BOX ASSEMBLY (Terrell)
1	70016	1	HOUSING
2	70017	2	COVER
3	67978	2	BEARING CUP
4	70020	2	BEARING CONE
5	70018	1	SHAFT, Output
6	70024	2	SEAL, Oil
8	70028	As Req'd	SHIM, Aluminum, 0.005" Thick, Blue (see item# 34 below)
9	70029	As Req'd	SHIM, Aluminum, 0.007" Thick, Silver
10	70030	As Req'd	SHIM, Aluminum, 0.020" Thick, Yellow
11	70031	As Req'd	SHIM, Fiber, 0.005" Thick
12	70032	As Req'd	SHIM, Aluminum, 0.005" Thick, Blue (see item# 34 below)
13	70033	As Req'd	SHIM, Aluminum, 0.007" Thick, Silver
14	70034	As Req'd	SHIM, Aluminum, 0.020" Thick, Yellow
15	70026	1	GASKET
16	70035	1	CAP, Input
17	70025	1	SEAL, Oil
18	70159	1	SHAFT, Pinion
19	70039	1	LOCKWASHER
20	70038	1	LOCKNUT
21	70040	1	WASHER, Keyed
22	70021	2	BEARING CUP
23	70022	2	BEARING CONE
24	70023	1	BEARING, Needle
25	70041	1	KEY
26	70037	1	GEAR
27	70826	16	BOLT, Grade 8
29	62338	1	BREATHER
	60588	1	NIPPLE
	70928	1	REDUCER FITTING
30	70805	6	BOLT, Grade 8
32	60616	3	PLUG
33	70036	1	END BELL
34	117175	1	<b>SHIM KIT</b> (2 of each items 8-10, 1 of each items 11-14) (not shown)



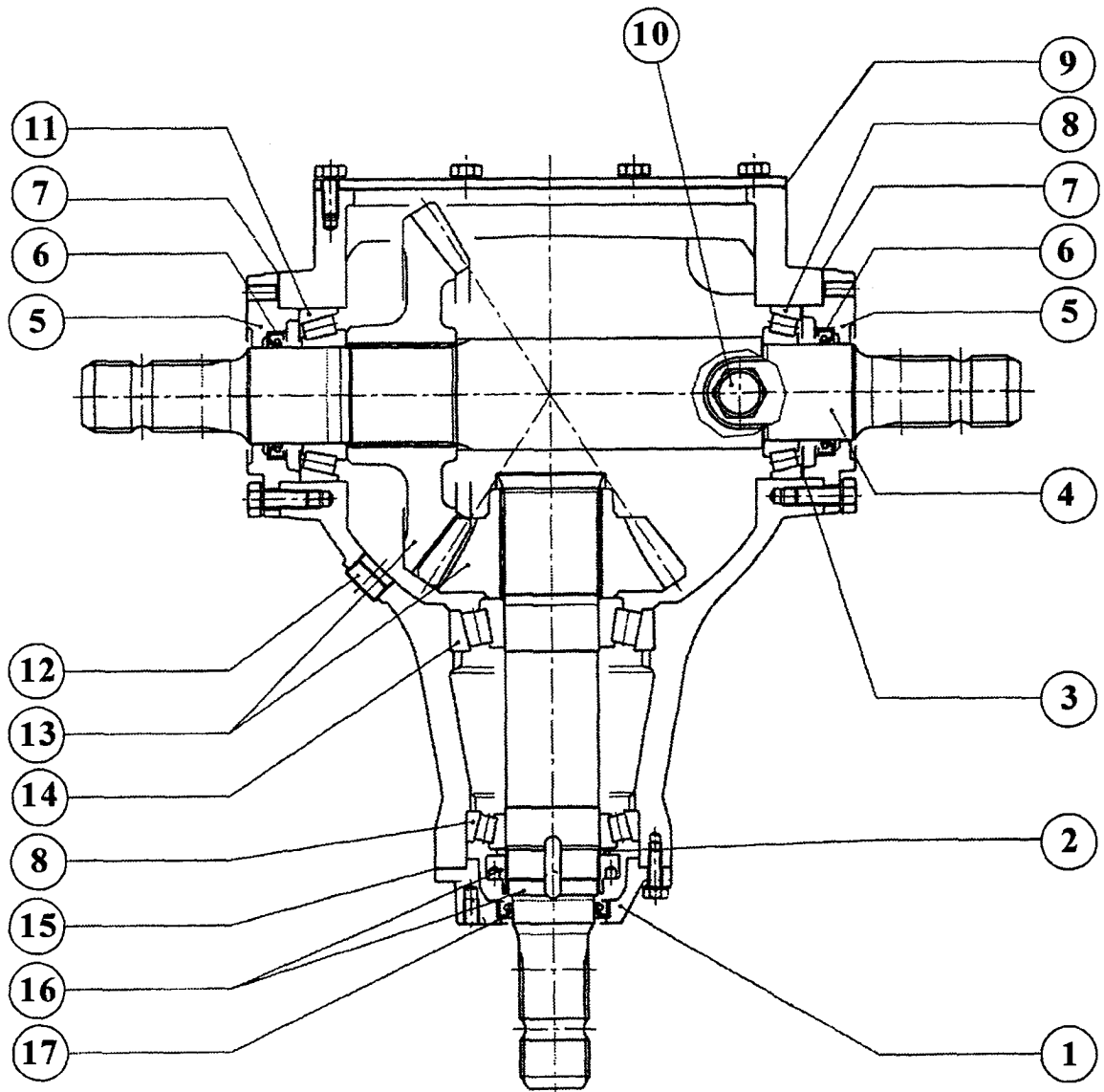
## T-BOX - Splined Input Shaft

Ref.#	Part Number	Qty. Req'd	Description
1	72532	1	T-BOX ASSEMBLY (B&P)
2	72635	1	HOUSING
3	72636	1	SHAFT, Output. Splined
4	72637	1	RETAINING RING
5	72638	1	COVER
6	72639	8	SCREW
8	72640	8	WASHER
9	72642	1	RETAINING RING
10	72643	2	RETAINING RING
11	72644	As Req'd	SHIM (see Ref.#24 below)
12	72645	As Req'd	SHIM
13	72646	As Req'd	SHIM
14	72647	As Req'd	SHIM
15	72648	As Req'd	SHIM
16	72649	As Req'd	SHIM
17	72650	As Req'd	SHIM
18	72651	2	BEARING (see Ref.# 25 below)
19	72652	1	BEARING
20	72653	1	BEARING
21	72654	3	SEAL, Oil
22	72655	1	BREATHER, Oil Plug
23	72656	5	OIL PLUG
24	72657	1	GEAR SET & INPUT SHAFT
25	117833	1	<b>SHIM KIT</b> (All Shims)
	117834	1	<b>BEARING KIT</b> (All Bearings and Seals)



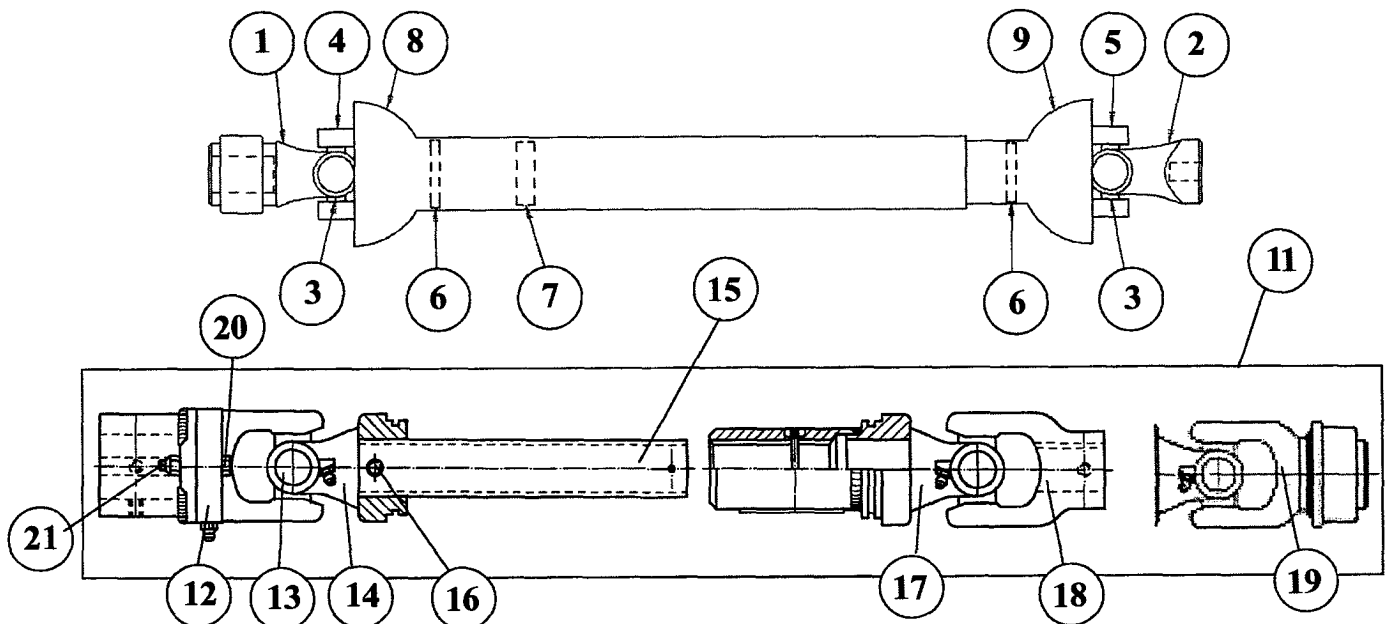
**OPTIONAL EXTRA HEAVY DUTY T-BOX (Splined Input Shaft)**

Ref.#	Part Number	Qty. Req'd	Description
1	72151	1	T-BOX ASSEMBLY, Extra Heavy Duty (B&P)
2	72156	1	COVER, Input Shaft
3	72162	1	WASHER, Input Shaft Bearing
4	117835	1	SHIM KIT (1 each Shim: 0.2mm,0.25mm,0.3mm,0.4mm,0.6mm,0.8mm)
5	72158	1	SHAFT, Output, Splined
6	72157	2	COVER, Output Shafts
7	72172	2	SEAL, Oil, Output Shaft
8,9,15			GASKETS (no longer used, use RTV silicone instead)
10	72168	2	BEARING, Input Shaft (front) & Output Shaft (non-geared end)
11	72174	1	BREATHER, Oil Plug
12	72169	1	BEARING, Output Shaft (geared end)
13	72173	1	PLUG, Oil
14	72175	1	GEAR SET, Input & Output
15	72170	1	BEARING, Input Shaft, Rear
16	72176	1	SHAFT, Input (with Ring Nut)
17	72171	1	SEAL, Oil, Input Shaft
	117836	1	<b>BEARING KIT</b> (All Bearings and Seals)



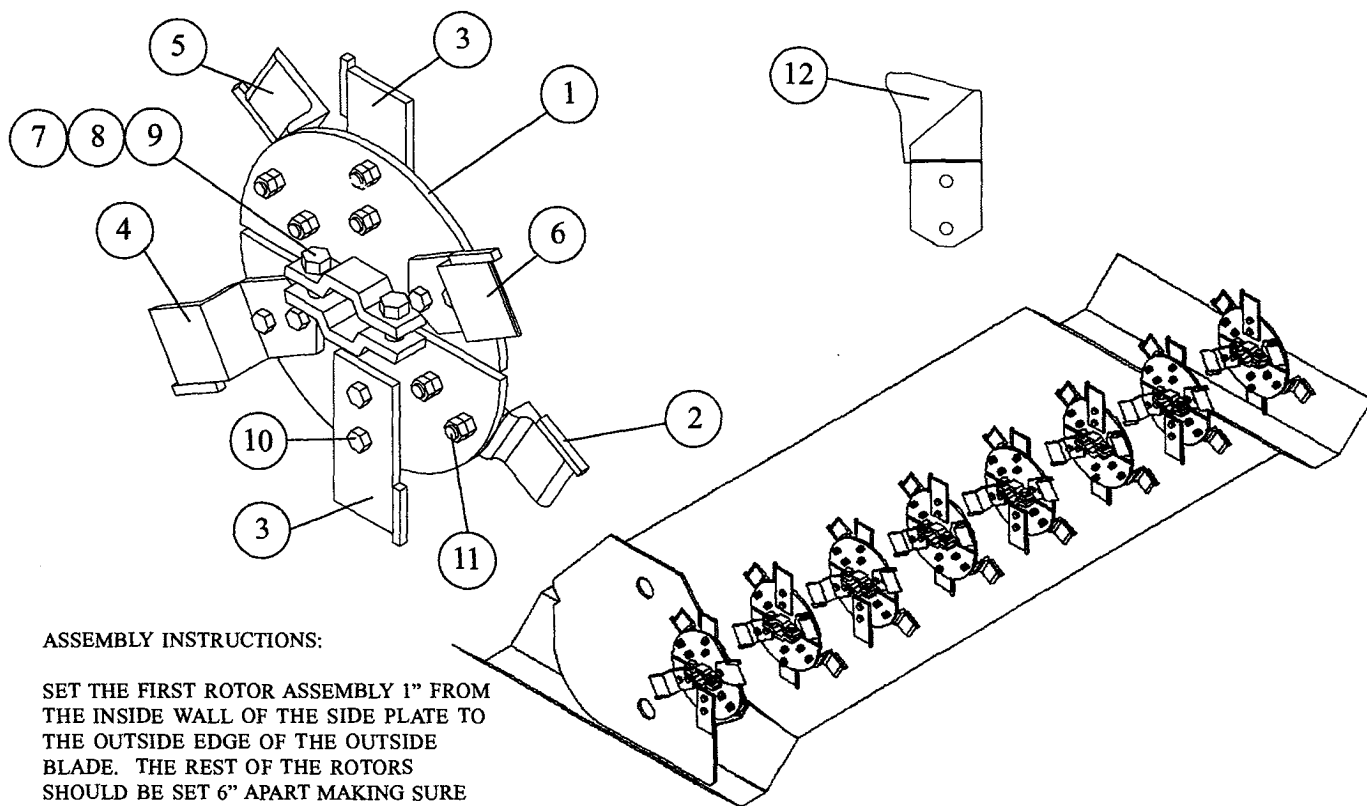
## DRIVELINE

Ref.#	Part Number	Qty. Req'd	Description
	117180		DRIVELINE ASSEMBLY, 21-Spline, 1-1/2" Keyed Input
	117181		DRIVELINE ASSEMBLY, 20-Spline, 1-3/4" Keyed Input
	116638		DRIVELINE ASSEMBLY, 21-Spline, 1-3/8" Splined Input
	116637		DRIVELINE ASSEMBLY, 20-Spline, 1-3/4" Splined Input
1	62049	1	YOKE, 21-Spline, 1-3/8"
	62384	1	YOKE, 20-Spline, 1-3/4"
	62048	1	YOKE, 6-Spline, 1-3/8"
2	70161	1	YOKE, 1-3/4", Key & Set Screw (T-Box end)
	62050	1	YOKE, 1-1/2", without Key (T-Box end)
3	62051	2	CROSS & BEARING KIT
4	62471	1	YOKE & SHAFT, Tractor End
5	62472	1	YOKE & SLEEVE, T-Box End
6	70007	2	LOCK & SHIELD BEARING
7	73890	1	NYLON BEARING (older steel shield version is p/n 62052)
8	73892	1	OUTER SHIELD, Tractor End (older steel shield version is p/n 62036)
9	73891	1	INNER SHIELD, T-Box End (older steel shield version is p/n 62038)
10	62382	1	LOCK PIN KIT, for 21-Spline Yoke p/n 62049 (not shown)
11	72270	1	SHEARBOLT DRIVELINE ASSY, Single Row Side, Keyed Input
	72269	1	SHEARBOLT DRIVELINE ASSY, Double Row Side, Keyed Input
	72360	1	SHEARBOLT DRIVELINE ASSY, Splined Input
12	72361	1	SHEARBOLT CLUTCH
	72271	1	SHEARBOLT CLUTCH, 364
13	72185	2	CROSS & BEARING KIT, Shearbolt Clutch
14	72186	1	INBOARD YOKE
15	72187	1	INNER PROFILE SHAFT
16	72188	1	SPRING PIN
17	72189	1	YOKE & SLEEVE
18	72184	1	YOKE, Keyed Input
19	72190	1	YOKE, Splined Input
	72373	1	COLLAR KIT (not shown)
20	72284	1	BOLT, Single Row Side, 364
	72283	1	BOLT, Double Row Side, 364
	72367	1	BOLT
21	72286	1	NUT
	72285	1	NUT, 364



## ROTOR ASSEMBLIES

Ref.#	Part Number	Qty. Req'd	Description
1	111227	2	ROTOR HALF
2	111692	1	1" OFFSET BLADE, RH
	111374	1	1" OFFSET BLADE, High Wear, RH (not shown)
	115429-2	1	1" OFFSET BLADE, Ultra High Wear, RH (not shown)
3	111694	2	STRAIGHT BLADE
	113476	2	STRAIGHT BLADE, High Wear (not shown)
	115431	2	STRAIGHT BLADE, Ultra High Wear (not shown)
4	111696	1	2" OFFSET BLADE, LH
	113478	1	2" OFFSET BLADE, High Wear, LH (not shown)
	115430-1	1	2" OFFSET BLADE, Ultra High Wear, LH (not shown)
	117752	3	C-SHAPED BLADE, LH (not shown)
5	111695	1	2" OFFSET BLADE, RH
	113477	1	2" OFFSET BLADE, High Wear, RH (not shown)
	115430-2	1	2" OFFSET BLADE, Ultra High Wear, RH (not shown)
	117753	3	C-SHAPED BLADE, RH (not shown)
6	111693	1	1" OFFSET BLADE, LH
	113475	1	1" OFFSET BLADE, High Wear, LH (not shown)
	115429-1	1	1" OFFSET BLADE, Ultra High Wear, LH (not shown)
7	72229	4	BOLT, Grade 5
8	Stock	4	LOCKWASHER, 5/8"
9	72434	4	NUT, 5/8"
10	72359	12	BOLT, Grade 8
11	68883	24	NUT, 1/2"
12	115242	1	CHROME TIP, Ultra High Wear

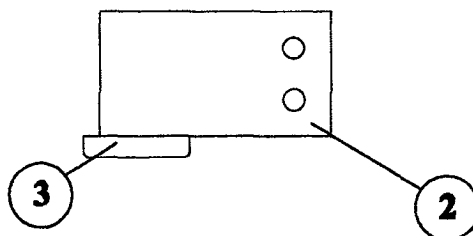
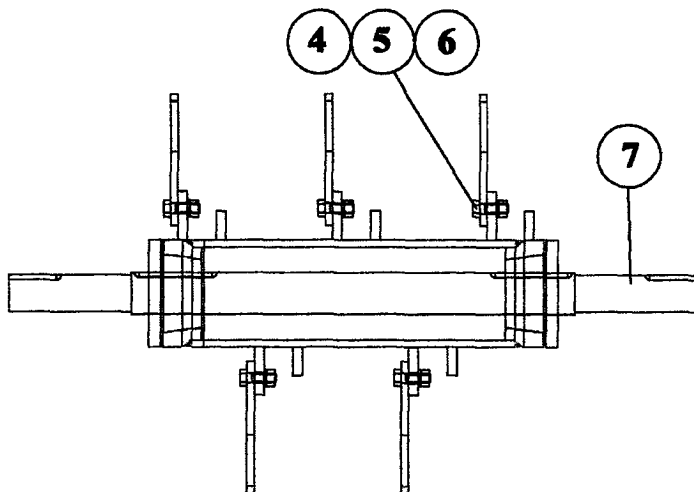
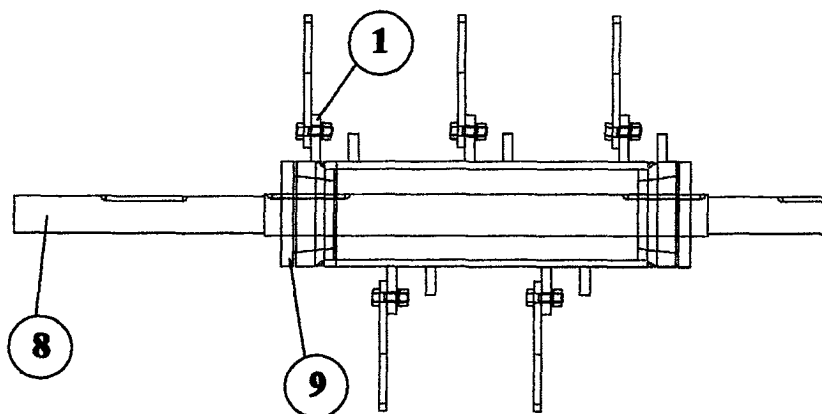


### ASSEMBLY INSTRUCTIONS:

SET THE FIRST ROTOR ASSEMBLY 1" FROM THE INSIDE WALL OF THE SIDE PLATE TO THE OUTSIDE EDGE OF THE OUTSIDE BLADE. THE REST OF THE ROTORS SHOULD BE SET 6" APART MAKING SURE EVERY OTHER ROTOR IS ROTATED 180° TO BALANCE THE TILLER SHAFT.

## I-BLADE TILLER ASSEMBLIES

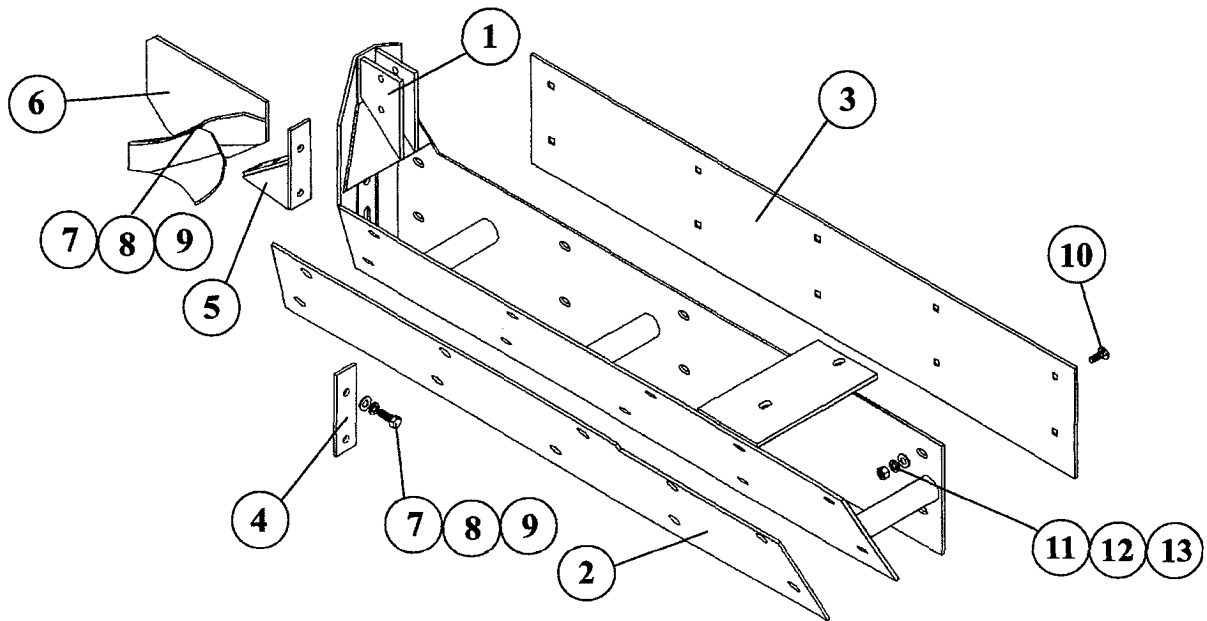
Ref.#	Part Number	Qty. Req'd	Description
	114001	2	TILLER DRUM ASSEMBLY, without Blades, Chain Box end, 440
	114002	2	TILLER DRUM ASSEMBLY, without Blades, Center, 440
1	113052-2	1	BLADE HOLDER
2	113256-2	1	6-1/2" BLADE
3	71130	1	CHROME SECTION
4	Stock	2	BOLT, 9/16", Grade 5
5	Stock	2	LOCKWASHER, 5/8"
6	Stock	2	NUT, 9/16"
7	114024	2	SHAFT, Tiller Drum
8	114023	2	SHAFT, Tiller Drum, Chain Box
9	66892	4	HUB
10	114026-1	1	6-1/2" OFFSET BLADE, LH (not shown)
11	114026-2	1	6-1/2" OFFSET BLADE, RH (not shown)



## OUTER SHOE ASSEMBLIES

Ref.#	Part Number	Qty. Req'd	Description
1	See Chart	2	OUTER SHOE ASSEMBLY
2	See Chart	1	OUTER SHOE WELDMENT
3	See Chart	1	WEAR PLATE, Inner
4	See Chart	1	WEAR PLATE, Outer
5	111616	1	ADJUSTMENT BAR
6	115065	1	SHOVEL ATTACHMENT WELDMENT
7	See Chart	1	SHOVEL, Outer Shoe
8	30263	4	BOLT, Grade 5
9	Stock	4	FLAT WASHER, 1/2"
10	Stock	4	LOCK WASHER, 1/2"
11	61117	11	PLOW BOLT, Grade 5
11-13	Stock	11	FLAT WASHER, LOCKWASHER, NUT, 7/16"

Furrow Depth/Width Std 5" Bottom	Outer Shoe Assembly	Ref.# 1 Outer Shoe Weldment	Ref.# 2 Inner Wear Plate	Ref.# 3 Outer Wear Plate	Ref.# 6 Outer Shovel
6"/16" - RH	114020-2	114015-2	114014-2	114019-2	113421-2
- LH	114020-1	114015-1	114014-1	114019-1	113421-1
6"/18" - RH	----	117220-2	117221-2	114019-2	113421-2
- LH	----	117220-1	117221-1	114019-1	113421-1
8"/10" - RH	115390-2	115387-2	115381-2	115388-2	113421-2
- LH	115390-1	115387-1	115381-1	115388-1	113421-1
8"/16" - RH	113760-2	113750-2	113749-2	113754-2	113421-2
- LH	113760-1	113750-1	113749-1	113754-1	113421-1
2" Btm - RH	115409-2	115071-2	115070-2	115076-2	113421-2
- LH	115409-1	115071-1	115070-1	115076-1	113421-1
8"/18" - RH	115222-2	115221-2	115220-2	113754-2	113421-2
- LH	115222-1	115221-1	115220-1	113754-1	113421-1
10"/16" - RH	113132-2	112601-2	112591-2	112599-2	113421-2
- LH	113132-1	112601-1	112591-1	112599-1	113421-1
10"/18" - RH	114929-2	114928-2	114927-2	112599-2	113421-2
- LH	114929-1	114928-1	114927-1	112599-1	113421-1
2" Btm - RH	----	117451-2	117456-2	117457-2	113421-2
- LH	----	117451-1	117456-1	117457-1	113421-1
10"/19" - RH	----	117472-2	117479-2	117480-2	113421-2
- LH	----	117472-1	117479-1	117480-1	113421-1

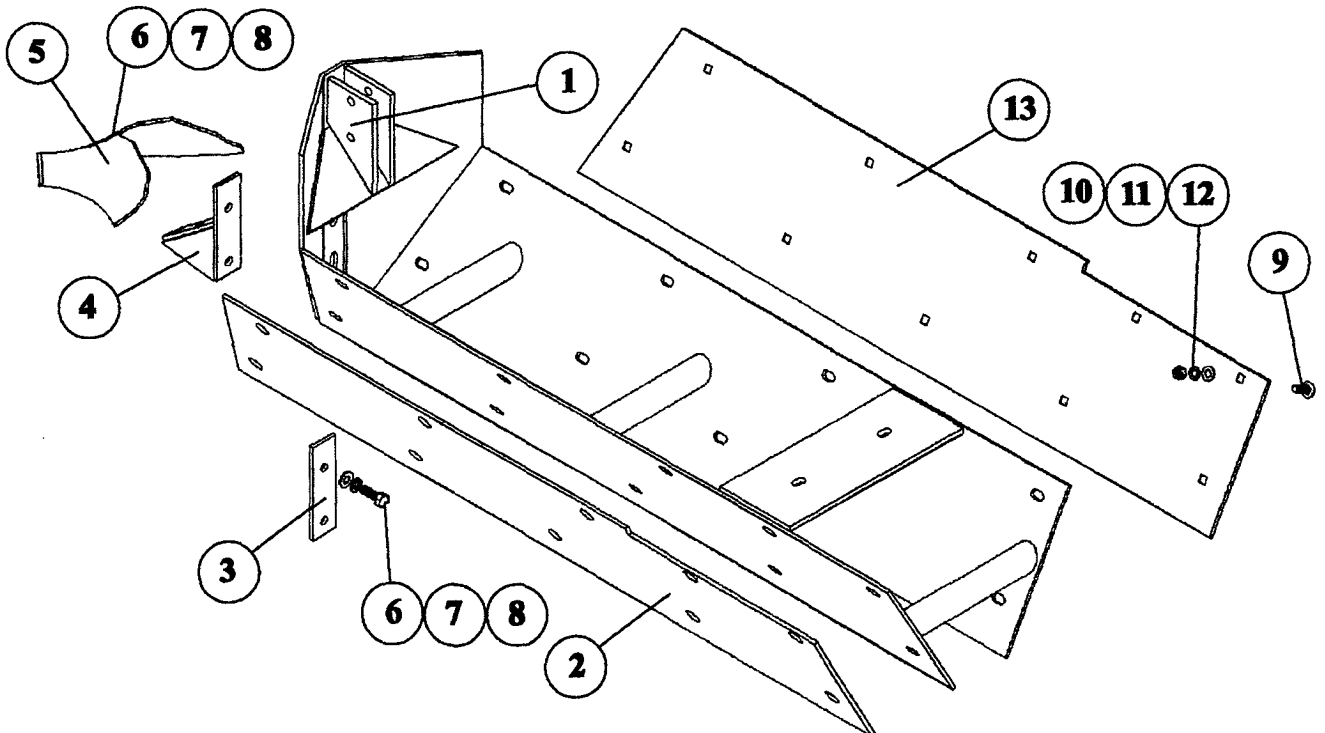




## INNER SHOE ASSEMBLIES

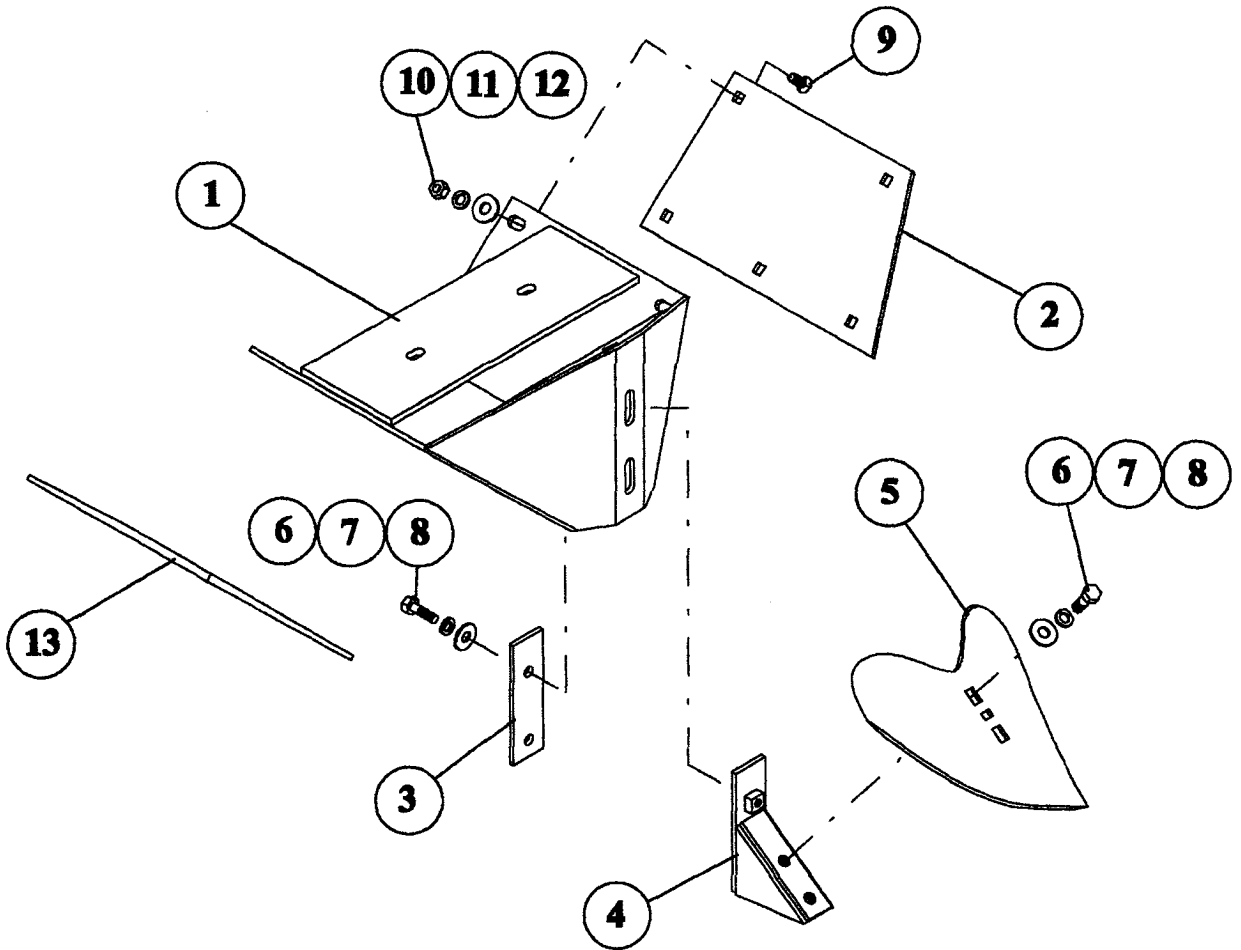
Ref.#	Part Number	Qty. Req'd	Description
1	See Chart	2	INNER SHOE ASSEMBLY
2	See Chart	1	INNER SHOE WELDMENT
3	See Chart	1	WEAR PLATE, LH
4	111616	1	ADJUSTMENT BAR
5	115065	1	SHOVEL ATTACHMENT WELDMENT
6	111733	1	SHOVEL, Inner Shoe
7	30263	4	BOLT, Grade 5
8	Stock	4	FLAT WASHER, 1/2"
9	Stock	4	LOCK WASHER, 1/2"
10	61117	10	PLOW BOLT, Grade 5
11	Stock	10	FLAT WASHER, 7/16"
12	Stock	10	LOCKWASHER, 7/16"
13	Stock	10	NUT, 7/16"
13	See Chart	1	WEAR PLATE, RH

Furrow Depth/Width Std 5" Bottom	Inner Shoe Assembly	Ref.# 1 Inner Shoe	Ref.# 2 LH Wear Plate	Ref.# 13 RH Wear Plate
6"/16"	114009	114010	114014-1	114014-2
6"/18"	----	117216	117221-1	117221-2
8"/10"	115389	115380	115381-1	115381-2
8"/16"	113759	113745	113749-1	113749-2
2" Bottom	115408	115066	115070-1	115070-2
8"/18"	115216	115215	115220-1	115220-2
10"/16"	113131	112596	112591-1	112591-2
10"/18"	114925	114924	114927-1	114927-2
2" Bottom	----	117445	117456-1	117456-2
10"/19"	----	117481	117479-1	117479-2



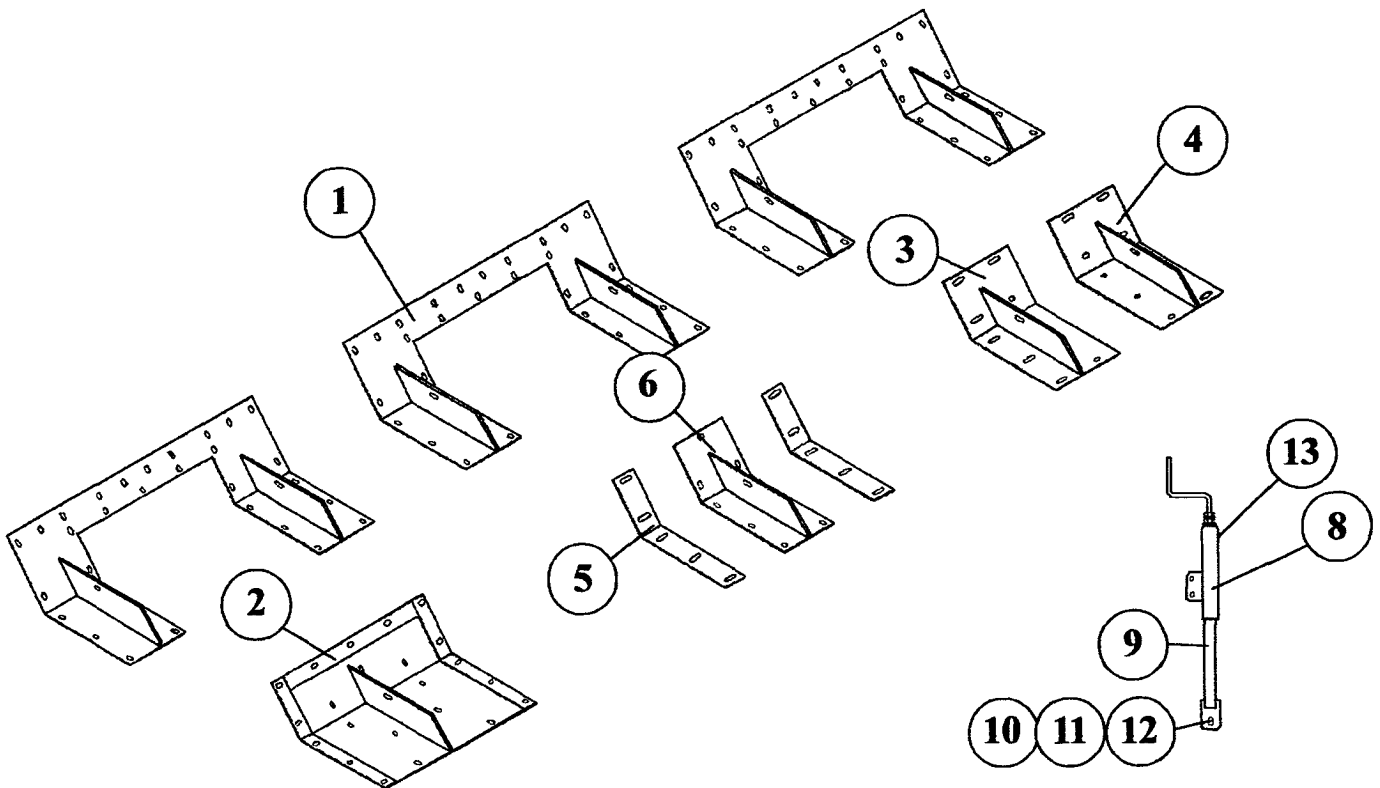
## OPTIONAL SHOE TO SPLIT BEDS

Ref.#	Part Number	Qty. Req'd	Description
	113731	1	INNER SHOE ASSEMBLY, 10" Deep Furrow
1	113730	1	INNER SHOE WELDMENT
2	113732-1	1	WEAR PLATE, LH
3	111616	1	ADJUSTMENT BAR
4	115065	1	SHOVEL ATTACHMENT WELDMENT
5	111733	1	SHOVEL, Inner Shoe
6	30263	4	BOLT, Grade 5
7	Stock	4	FLAT WASHER, 1/2"
8	Stock	4	LOCK WASHER, 1/2"
9	61117	10	PLOW BOLT, Grade 5
10	Stock	10	FLAT WASHER, 7/16"
11	Stock	10	LOCKWASHER, 7/16"
12	Stock	10	NUT, 7/16"
13	113732-2	1	WEAR PLATE, RH



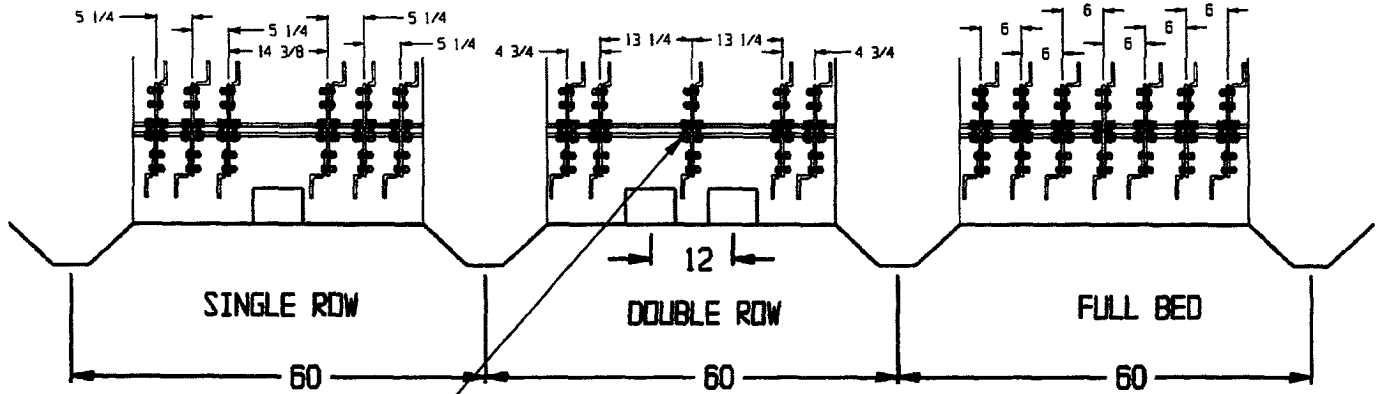
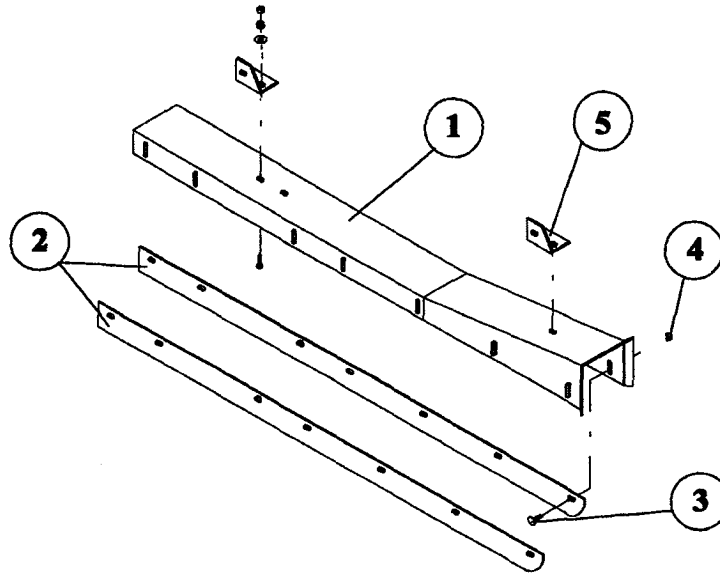
## REAR DOORS & FILLER PLATES

Ref.#	Part Number	Qty. Req'd	Description	
1	117807	3	DOOR WELDMENT, 360-42	
	113540	3	DOOR WELDMENT, 360-44	
	115165	3	DOOR WELDMENT, 364-46 (not shown)	
	115172	3	DOOR WELDMENT, 366-48	
	113823	3	DOOR WELDMENT, 366-50	
	116917	3	DOOR WELDMENT, 372-54	
	117486	4	DOOR WELDMENT, 440-21	
	117460	4	DOOR WELDMENT, 440-22	
	114006	4	DOOR WELDMENT, 440 & 840 -24 (not shown)	
	117435	4	DOOR WELDMENT, 440-24, for A/R Liners (not shown)	
	116533	8	DOOR WELDMENT, 840 Special (not shown)	
	114313	3	DOOR WELDMENT, 380-64 (not shown)	
	115312	3	DOOR WELDMENT, 380-70 (not shown)	
	2	114901	3	FILLER PLATE, Full Bed Mode
		117809	3	FILLER PLATE, Full Bed Mode, 360-42
	3	113546-1	3	FILLER PLATE, LH Single Row, 60" & 66"
	4	113546-2	3	FILLER PLATE, RH Single Row, 60" & 66"
5	113548	6	SIDE FILLER PLATE, Double Row, 12", 14" & 6", 60-44	
	116846	6	SIDE FILLER PLATE, Double Row, 10", 60-44	
6	113544-1	3	CENTER FILLER PLATE, Double Row, 14"	
	113544-2	3	CENTER FILLER PLATE, Double Row, 16"	
	113544-3	3	CENTER FILLER PLATE, Double Row, 12"	
	116842	3	CENTER FILLER PLATE, Double Row, 10"	
8	113469	1	DOOR ADJUSTER WELDMENT	
9	113554	1	DOOR ADJUSTER WELDMENT, Lower	
10	Stock	1	BOLT, 1/2"	
11	Stock	1	WASHER, 1/2"	
12	69261	1	NUT, 1/2"	
13	66919	1	GREASE FITTING	

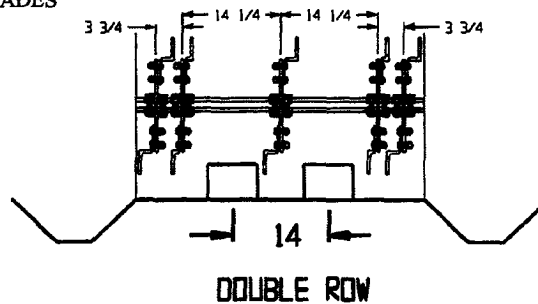


## PLANT TUNNEL ASSEMBLIES

Ref.#	Part Number	Qty. Req'd	Description
	113626		TUNNEL ASSEMBLY
1	111071	1	TOP COVER, Tunnel
2	111669	2	SIDE RUNNER, Tunnel
3	Stock	16	CARRIAGE BOLT, 1/2"
4	72675	16	NUT, 1/2"
5	111673	2	ANGLE BRACKET, Front & Rear
6	113557	1	SHANK, Rear, with slot (not shown)
7	111674	1	SHANK, Front, no slot (not shown)
8	113761	1	SHANK, Rear Offset, Center, Double Row 14" (not shown)

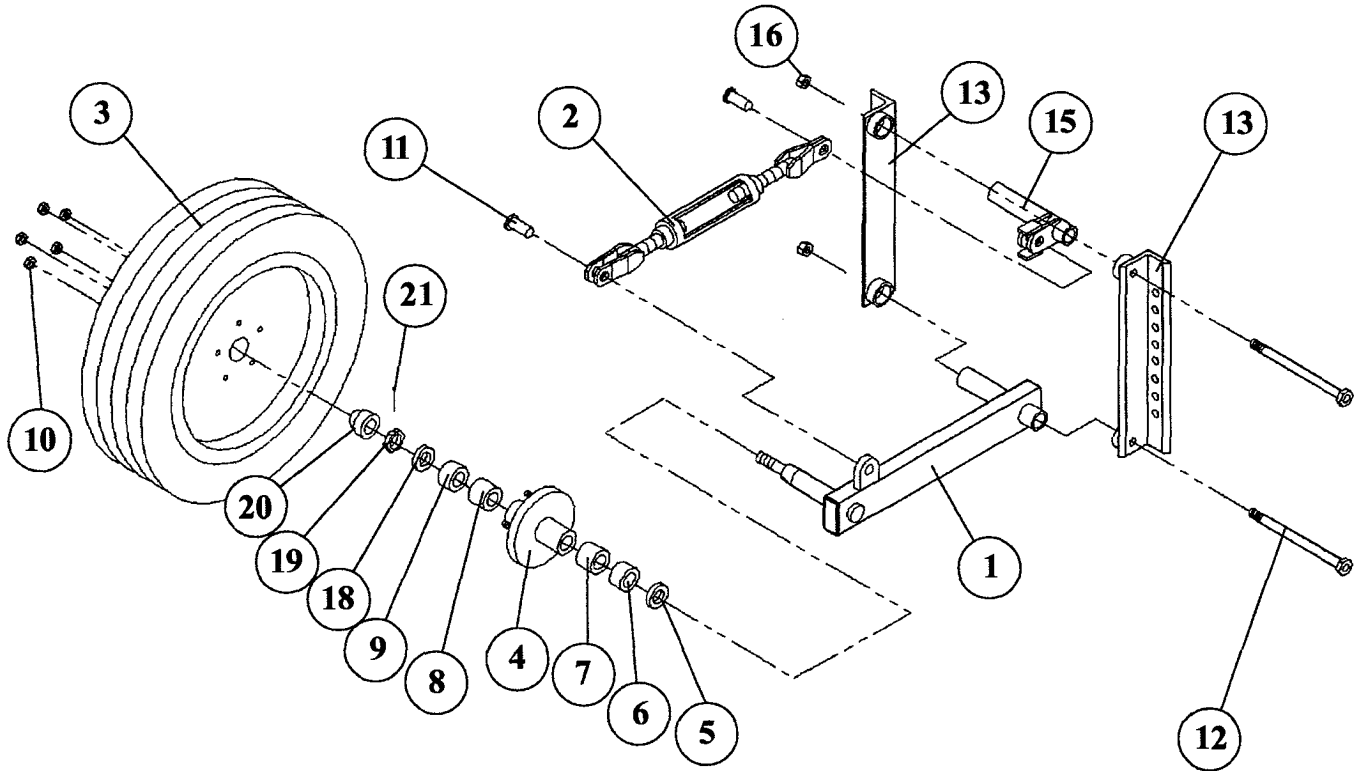


NOTE: REPLACE 2" OFFSET  
BLADES WITH 1" OFFSET BLADES  
FOR DOUBLE ROW 12"



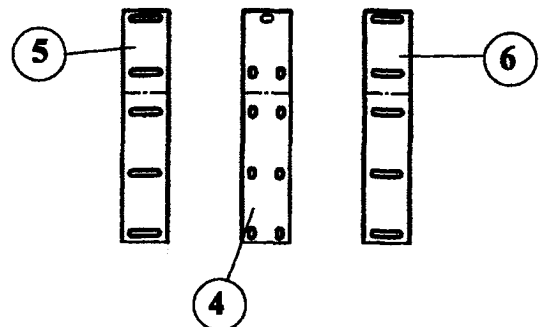
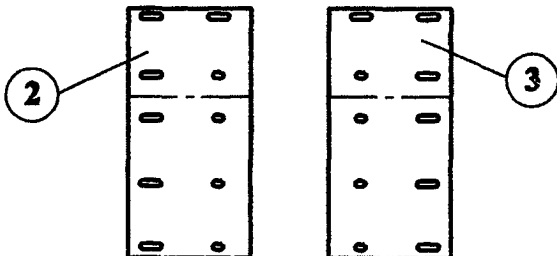
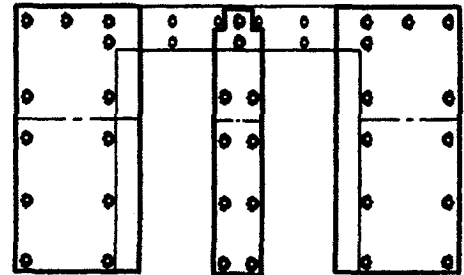
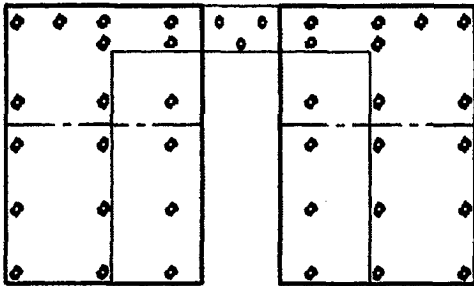
## GAUGE WHEEL ASSEMBLY

Ref.#	Part Number	Qty. Req'd	Description
	113645	1	GAUGE WHEEL ASSEMBLY, LH Less Wheel & Tire
	113644	1	GAUGE WHEEL ASSEMBLY, RH Less Wheel & Tire
1	63084	1	SPINDLE WELDMENT, LH
	63082	1	SPINDLE WELDMENT, RH
2	107499	1	TURNBUCKLE WELDMENT
3	107999	1	TIRE & WHEEL ASSEMBLY
	63083	1	WHEEL
	70069	1	TIRE
4	63130	1	WHEEL HUB
5	62307	1	SEAL, Oil
6	64860	1	BEARING, Cone, Outer
7	64861	1	BEARING, Cup, Inner
8	67922	1	BEARING, Cup, Outer
9	64862	1	BEARING, Cone, Inner
10	67084	5	NUT, Lug
11	111737	2	PIN, Turnbuckle
12	71884	2	BOLT
13	107218	2	MOUNT WELDMENT
15	107221	1	TURNBUCKLE SUPPORT WELDMENT
16	69263	2	NYLOCK NUT, 3/4"
18	70486	1	WASHER
19	70485	1	NUT
20	63153	1	DUST CAP
21	70487	4	COTTER PIN



## UHMW LINERS

Ref.#	Part Number	Qty. Req'd	Description	
1	113549	3	UHMW LINER, Full Bed, 360-44 (not shown)	
	115166	3	UHMW LINER, Full Bed, 364-46 (not shown)	
	115173	3	UHMW LINER, Full Bed, 366-48 (not shown)	
	113824	3	UHMW LINER, Full Bed, 366-50 (not shown)	
	116918	3	UHMW LINER, Full Bed, 372-54 (not shown)	
	117485	3	UHMW LINER, Full Bed, 440-21 (not shown)	
	117462	3	UHMW LINER, Full Bed, 440-22 (not shown)	
	114004	3	UHMW LINER, Full Bed, 440 & 840 -24 (not shown)	
	117436	3	A/R PLATE LINER, Rear, 440-24 (not shown)	
	117437	3	A/R PLATE LINER, Front, 440-24 (not shown)	
	116534	3	UHMW LINER, Full Bed, 840 Special (not shown)	
	114314	3	UHMW LINER, Full Bed, 380-64 (not shown)	
	115313	3	UHMW LINER, Full Bed, 380-70 (not shown)	
	2	113550-1	3	UHMW LINER, LH Single Row, 60-44
		115241-1	3	UHMW LINER, LH Single Row, 66-48
3	113550-2	3	UHMW LINER, RH Single Row, 60-44	
	115241-2	3	UHMW LINER, RH Single Row, 66-48	
4	113551-1	3	UHMW LINER, Center, Double Row 14"	
	113551-2	3	UHMW LINER, Center, Double Row 16"	
	113551-3	3	UHMW LINER, Center, Double Row 12"	
	116841	3	UHMW LINER, Center, Double Row 10"	
5	113553-1	3	UHMW LINER, LH Double Row 14", 60-44	
	113553-3	3	UHMW LINER, LH Double Row 16", 60-44	
	113553-5	3	UHMW LINER, LH Double Row 12", 60-44	
	113553-7	3	UHMW LINER, LH Double Row 10", 60-44	
	113553-9	3	UHMW LINER, LH Double Row 10", 66-48	
6	115174-1	3	UHMW LINER, LH Double Row 12", 66-48	
	113553-2	3	UHMW LINER, RH Double Row 14", 60-44	
	113553-4	3	UHMW LINER, RH Double Row 16", 60-44	
	113553-6	3	UHMW LINER, RH Double Row 12", 60-44	
	113553-8	3	UHMW LINER, RH Double Row 10", 60-44	
	113553-10	3	UHMW LINER, RH Double Row 10", 66-48	
	115174-2	3	UHMW LINER, RH Double Row 12", 66-48	



## END TOW

Ref.#	Part Number	Qty. Req'd	Description
1	72909	3	HYDRAULIC CYLINDER
2	73187	2	TIRE & WHEEL ASSEMBLY
3	73216	2	SEAL, Grease
4	72940	2	WHEEL HUB, 6 Lug
5	72684	12	BOLT, Lug
6	70485	2	NUT, Slotted
7	72391	2	COTTER PIN
8	72939	2	DUST CAP
9	71914	2	BEARING, Cone, Outer
10	73215	2	BEARING, Cone, Inner
11	60869	As Req'd	HYD TEE FITTING, 6MJ-6MJ-6FJX (not shown)
12	60879	As Req'd	HYD TEE FITTING, 6FJX-6MJ-6MJ (not shown)
13	60821	4	HYD ADAPTER FITTING, 6MB-6MJ (not shown)
14	60822	2	HYD ELBOW FITTING, 6MB-6MJ,90 (not shown)
15	68880	3	PIN, Lynch, with Chain

