



BED SHAPER

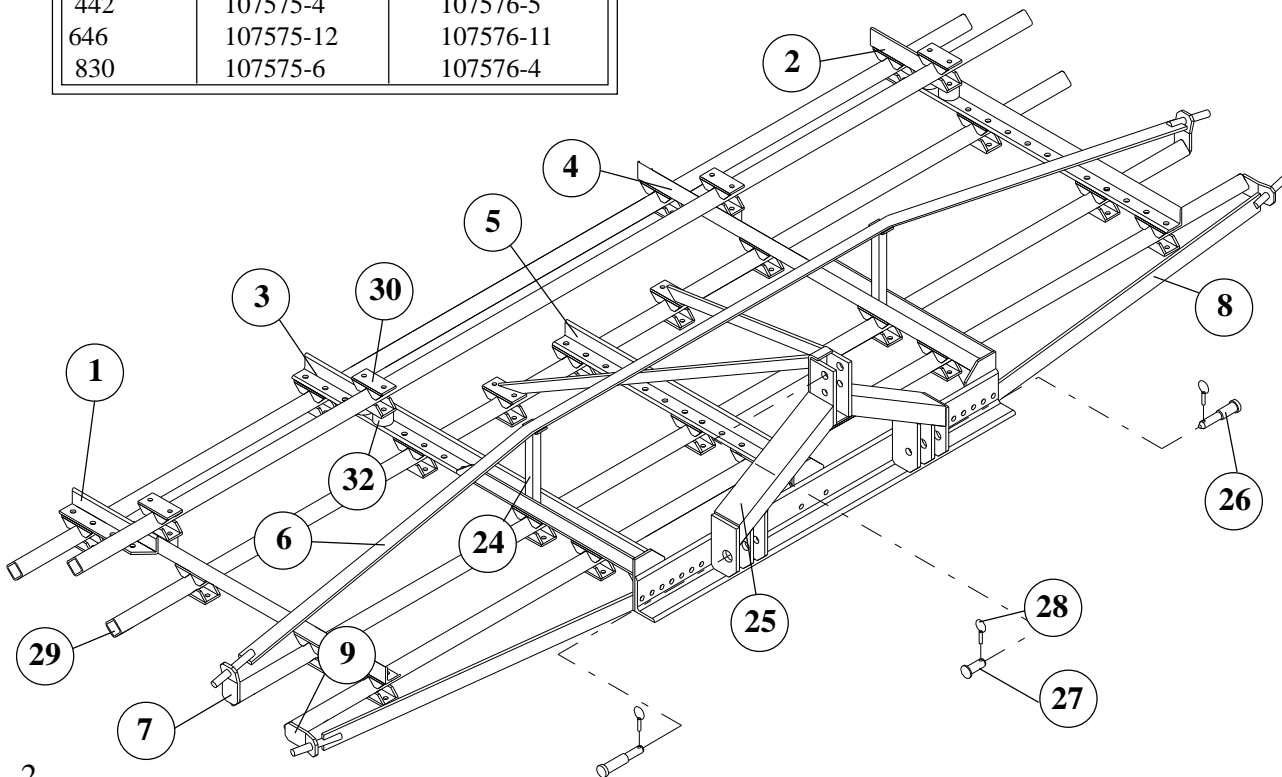
PARTS MANUAL

TOP FRAME ASSEMBLY

REF. NO.	PART NO.	QTY. REQ'D.	DESCRIPTION
1	61044	1	ANGLE FRAME, w/offset, RH
2	61045	1	ANGLE FRAME, w/offset, LH
3	61052	1	ANGLE FRAME, w/TPH Bracket, RH
4	61053	1	ANGLE FRAME, w/TPH Bracket, LH
5	62032	1	ANGLE FRAME, Center
6	See Chart	1	TOP TRUSS ROD
7	62229	2	END BRACKET, Top Truss Rod
8	See Chart	2	FRONT TRUSS ROD
9	62166	2	END BRACKET, Front Truss Rod
24	61172	2	TOP TRUSS ROD STANDARD
25	See Chart	1	THREE POINT HITCH
26	62001	2	HITCH PIN, Lower
27	70078	1	HITCH PIN, Upper
28	61151	3	LOCK PIN
29	62061	As Req'd	TOOL BAR, 2-1/4", Per Foot
30	71131	As Req'd	CLAMP HALF, Nonweldable
31	61035	As Req'd	CLAMP HALF, Weldable, Optional, Not Shown
32	61036	4	CLAMP HALF, Elevated w/spacers
33	117670	1	TURNBUCKLE, Toplink, 640-30 Special, Not Shown

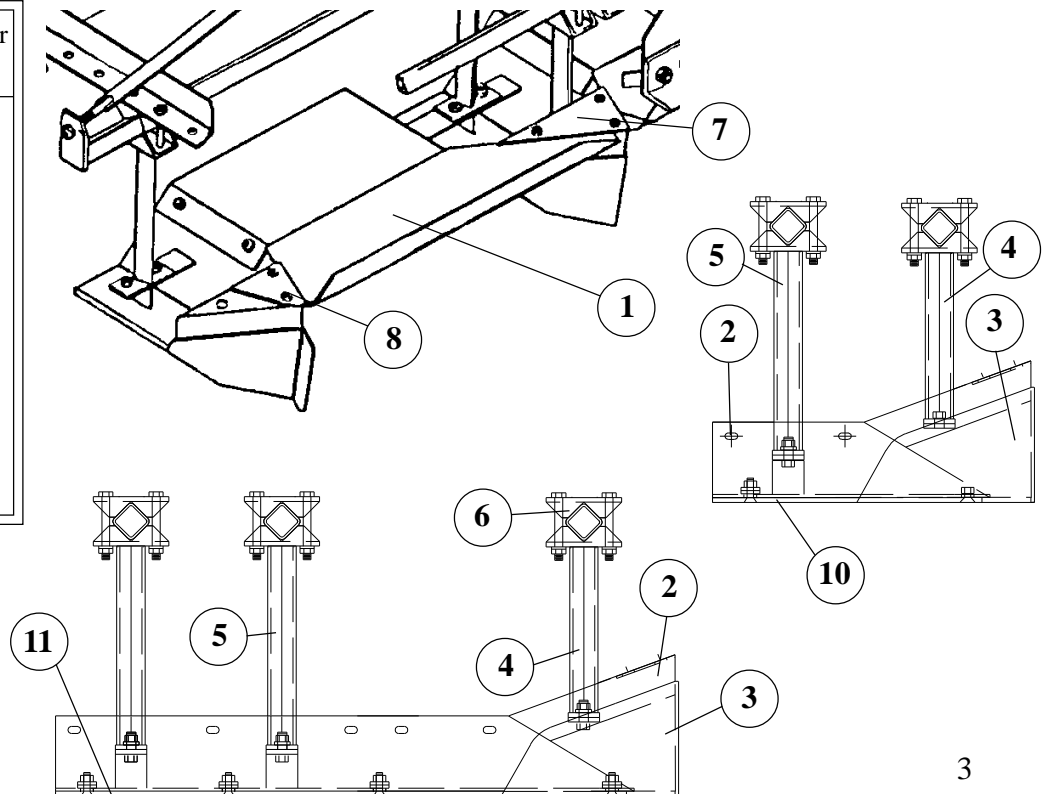
MODEL	TOP TRUSS REF. NO. 6	FRONT TRUSS REF. NO. 8
360/630	107575-1	107576-1
366	107575-5	107576-2
372	107575-9	107576-8
438	107575-2	107576-7
440	107575-3	107576-3
442	107575-4	107576-5
646	107575-12	107576-11
830	107575-6	107576-4

REF. NO. 25 -THREE POINT HITCH		
	CAT II/III	QUICK HITCH
W/ Braces	108263	108982
W/O Braces	104620-1	108378
640-30 Spcl	117656	



PONTOON STYLE SHAPER			
REF. NO.	PART NO.	QTY. REQ'D.	DESCRIPTION
1	61185	As Req'd	PONTOON ASSEMBLY COMPLETE - Inner, Long
	61180		PONTOON ASSEMBLY COMPLETE - Inner, Short
	61186		PONTOON ASSEMBLY COMPLETE - RH, Long
	61181		PONTOON ASSEMBLY COMPLETE - RH, Short
	61187		PONTOON ASSEMBLY COMPLETE - LH, Long
	61182		PONTOON ASSEMBLY COMPLETE - LH, Short
	See Chart		BED TOP SHAPER, Pontoon
2	61152	1	PONTOON WELDMENT, Inner, Long
	61003	1	PONTOON WELDMENT, Inner, Short
	61154	1	PONTOON WELDMENT, RH, Long
	61004	1	PONTOON WELDMENT, RH, Short
	61156	1	PONTOON WELDMENT, LH, Long
	61005	1	PONTOON WELDMENT, LH, Short
3	61000	1	WEAR CAP, Inner, Long
	61007	1	WEAR CAP, Inner, Short
	61001	1	WEAR CAP, Outer, RH, Long
	61008	1	WEAR CAP, Outer, RH, Short
	61002	1	WEAR CAP, Outer, LH, Long
	61009	1	WEAR CAP, Outer, LH, Short
	See Chart		
4	61023	1	STANDARD WELDMENT, Front
5	61027	2	STANDARD WELDMENT, Rear
6	71131	3	2" CLAMP HALF
7	61040	As Req'd	CLAMP, Inner
8	61041	1	CLAMP, RH
9	61042	1	CLAMP, LH (not shown)
10	61010	1	BOTTOM WEAR STRIP, Short
11	61006	1	BOTTOM WEAR STRIP, Long

Model	Bed Top Shpr Ref. No. 1
28-10	61011
30-12	61012
38-20	61014
40-22	61016
42-24	61017
44-26	61018
60-42	61013
66-48	61015
68-50	107505-5
72-54	107505-1
72-54 Spcl.	117371
80-62	107505-4
80-62 w/stfmr	111599



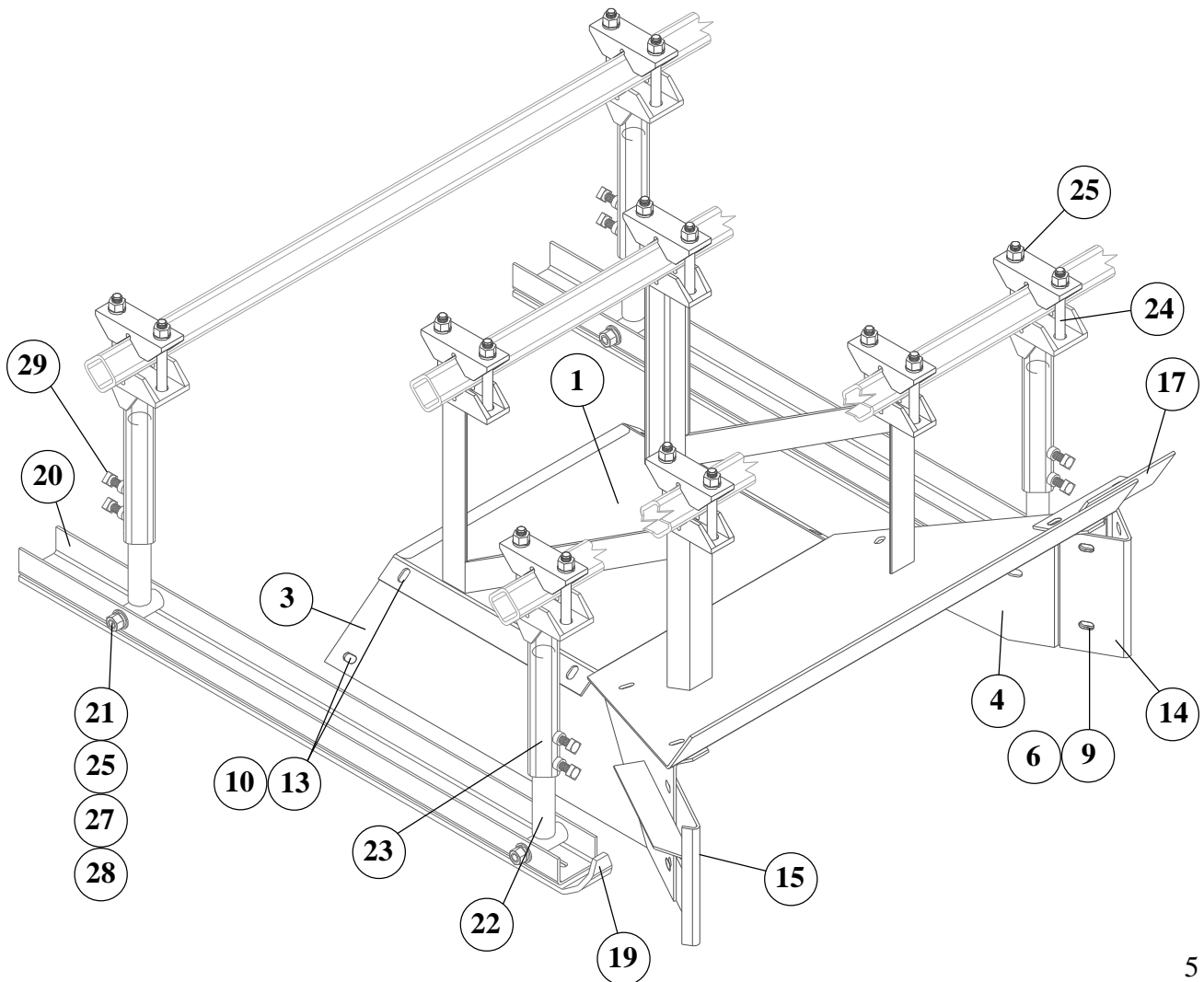
FLAT RUNNER STYLE, NON-ADJUSTABLE

REF. NO.	PART NO.	QTY. REQ'D.	DESCRIPTION
1	See Chart	As Req'd	BED TOP SHAPER ASSEMBLY
2	See Chart	As Req'd	BED TOP SHAPER, Flat Runner
3	See Chart	As Req'd	WEAR PLATE WELDMENT, LH
4	See Chart	As Req'd	WEAR PLATE WELDMENT, RH
5	See Chart	As Req'd	WEAR PLATE, LH
6	See Chart	As Req'd	WEAR PLATE, RH
6	Stock	11	BOLT, 1/2", Carriage
9	72675	11	NUT, 1/2"
10	70549	8	BOLT, 7/16"
13	72747	8	NUT, 7/16"
14	116173	As Req'd	NOSE COVER, INNER, 5" Furrows, 40-30
	117564	As Req'd	NOSE COVER, INNER, 6" Furrows, 40-30
	62636	As Req'd	NOSE COVER, INNER, 6" Furrows
	110922	As Req'd	NOSE COVER, INNER, 8" Furrows
15	116174-2	1	NOSE COVER, RH, 5" Furrows, 40-30
	62639	1	NOSE COVER, RH, 6" Furrows
	110921-2	1	NOSE COVER, RH, 8" Furrows
16	116174-1	1	NOSE COVER, LH, 5" Furrows, 40-30
	62640	1	NOSE COVER, LH, 6" Furrows
	110921-1	1	NOSE COVER, LH, 8" Furrows
17	62643	As Req'd	CONNECTOR PLATE
	117565	As Req'd	CONNECTOR PLATE, 6" Furrows, 40-30
18	61195	2	FLAT RUNNER ASSEMBLY
19	61193	2	RUNNER
	116647	2	RUNNER, Special, 176-62, 180-66-8, 180-66
	117661	2	RUNNER, Special, 640-30-6
20	62644	2	CHANNEL
	116648	2	CHANNEL, Special, 176-62
	117662	2	CHANNEL, Special, 640-30-6
21	102435-16	4	TUBE
22	62394	4	SHAFT, Male
23	62395	4	SLEEVE, Female
24	Stock	2	BOLT, 5/8"
25	70803	As Req'd	NUT, 5/8"
26	See Chart	As Req'd	UHMW LINER, not shown
27	Stock	As Req'd	BOLT, 5/8"
28	Stock	As Req'd	FLATWASHER, 5/8"
29	70478	As Req'd	BOLT, 1/2"

Model	Bed Top Shaper Assembly	Bed Top Shaper Wldm't Ref. No. 1	Wear Plate Wldm't LH Ref. No. 2	Wear Plate Wldm't RH Ref. No. 3	Wear Plate LH Ref. No. 4	Wear Plate RH Ref. No. 5	UHMW LINER Ref. No.26
28-10	108913-9	107085-9	108915-1	108915-2	108916-1	108916-2	
30-12	108913-1	107085-1	108915-1	108915-2	108916-1	108916-2	
36-24	- - -	116243	116246-1	116246-2	116247-1	116247-2	
38-20	108913-6	107085-6	108915-1	108915-2	108916-1	108916-2	
40-22	108913-5	107085-5	108915-1	108915-2	108916-1	108916-2	
40-24 Spcl.	109600	109601	109605-1	109605-2	109608-2	109608-1	
40-26 Spcl.	108853	108854	108855-1	108855-2	108856-2	108856-1	
40-27 Spcl.	108963	107085-11	108961-1	108961-2	108962-1	108962-2	

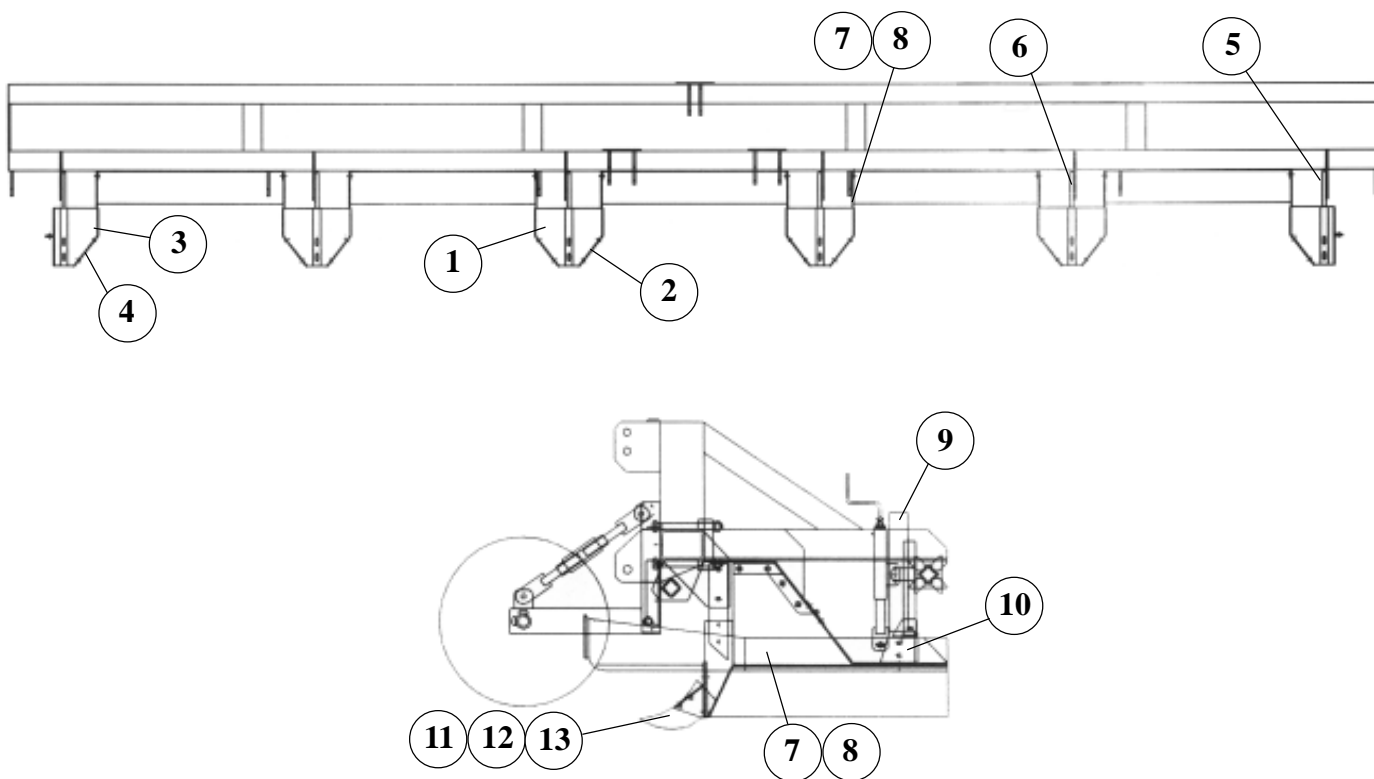
FLAT RUNNER STYLE, NON-ADJUSTABLE CONT'D

Model	Bed Top Shaper Assembly	Bed Top Shaper Wldm't Ref. No. 1	Wear Plate Holder LH Ref. No. 2	Wear Plate Holder RH Ref. No. 3	Wear Plate LH Ref. No. 4	Wear Plate RH Ref. No. 5	UHMW LINER Ref. No. 26
40-30-5	---	116178	116181-1	116181-2	116182-1	116182-2	116183
40-30-6	117560	117559	117561-1	117561-2	117562-1	117562-2	116183
40-30-6 Spcl	---	117656	117561-1	117561-2	117562-1	117562-2	116183
40-32 Spcl.	116167	116166	116170-1	116170-2	116171-1	116171-2	
42-24	108913-7	107085-7	108915-1	108915-2	108916-1	108916-2	
44-26	108913-8	107085-8	108915-1	108915-2	108916-1	108916-2	
46-32-8	114187	114061	114186-1	114186-2	114064-1	114064-2	
60-42	108913-4	107085-4	108915-1	108915-2	108916-1	108916-2	
66-48	108913-10	107085-10	108915-1	108915-2	108916-1	108916-2	
72-54	108913-2	107085-2	108915-1	108915-2	108916-1	108916-2	
76-62-8	---	116614	114186-1	114186-2	114064-1	114064-2	
80-66	117567	117566	117569-1	117569-2	117570-1	117570-2	
80-66-8	116835	116836	114186-1	114186-2	114064-1	114064-2	
88-70	108913-3	107085-3	108915-1	108915-2	108916-1	108916-2	



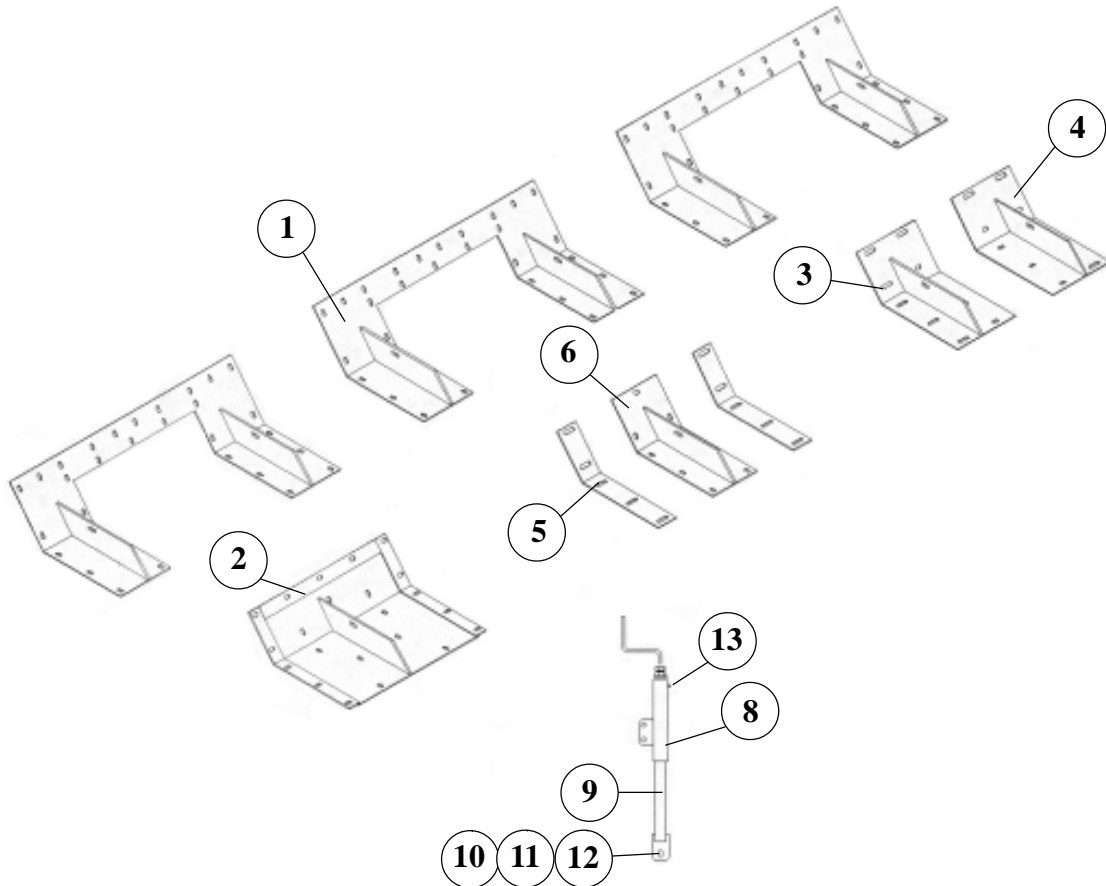
MD STYLE SHAPER			
REF. NO.	PART NO.	QTY. REQ'D.	DESCRIPTION
1	SEE CHART	4	INNER SHOE WELDMENT
2	SEE CHART	4	WEAR PLATE, INNER
3	SEE CHART	1	OUTER SHOE WELDMENT
4	SEE CHART	1	WEAR PLATE, OUTER
5	114829	2	SHANK, OUTER
6	114828	4	SHANK, INNER
7	114816-1	5	SIDE PLATE, LH
8	114816-2	5	SIDE PLATE, RH
9	113809	6	SHANK, REAR
10	112623	6	REAR SHANK WELDMENT
11	113421-2	1	OUTER SHOE SHOVEL, RH
12	113421-1	1	OUTER SHOE SHOVEL, LH
13	111733	4	INNER SHOE SHOVEL

Furrow Depth/Width	Ref. No. 1	Ref. No. 2	Ref. No. 3	Ref. No. 4
10"/16"- RH	114964	114967-1	114968-1	114971
- LH	114964	114967-2	114968-2	114971
-18"- RH	114902	114907-1	114908-1	114912-1
LH	114902	114907-2	114908-2	114912-2

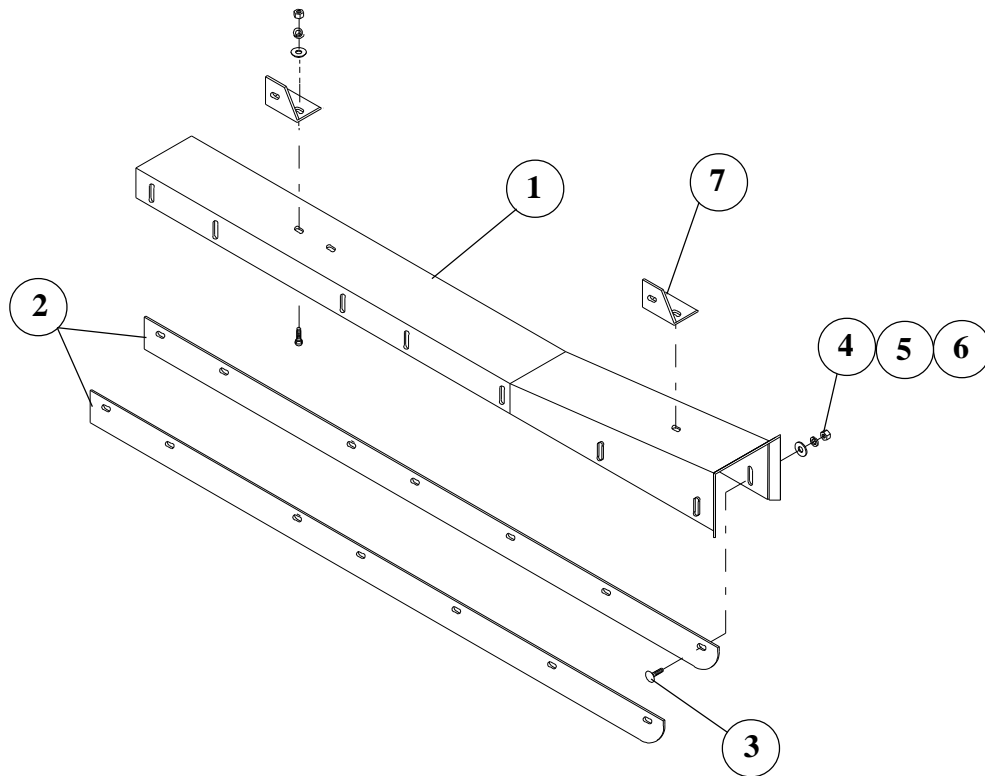


REAR DOORS AND FILLER PLATES

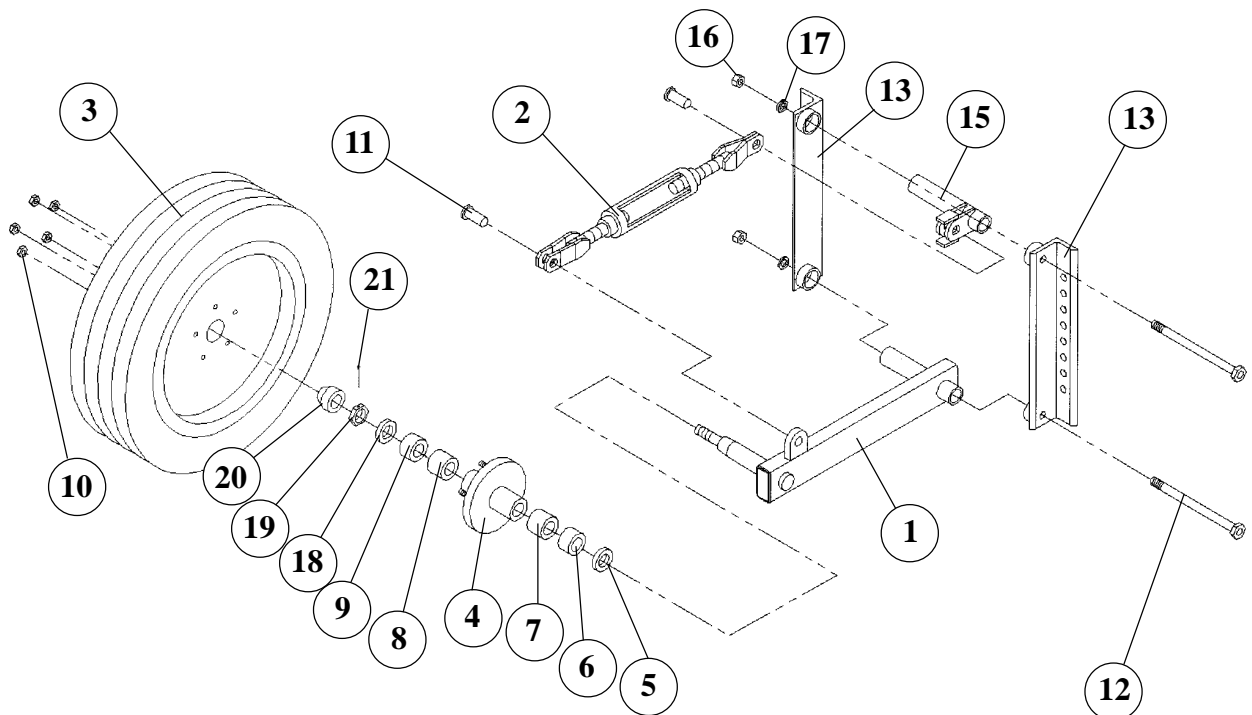
REF. NO.	PART NO.	QTY. REQ'D.	DESCRIPTION
1	113540	5	DOOR WELDMENT, 560 - 44 (Adjustable)
	114963	5	DOOR WELDMENT, 560-44 (Non-Adjustable)
	114815	5	DOOR WELDMENT, AR Plate, 566 - 48
2	113543	5	FILLER PLATE, Full Bed Mode
	114831	5	FILLER PLATE, Full Bed Mode, AR Plate
3	113546-1	5	FILLER PLATE, LH Single Row
	114937-1	5	FILLER PLATE, LH Single Row, AR Plate
4	113546-2	5	FILLER PLATE, RH Single Row
	114937-2	5	FILLER PLATE, RH Single Row, AR Plate
5	113548	10	SIDE FILLER PLATE, Double Row 14"
6	113544-2	5	CENTER FILLER PLATE, Double Row 14"
	114939-1	5	CENTER FILLER PLATE, Double Row 14", AR Plate
7	113739	10	TOP FILLER PLATE, Double Row 14" (Not Shown)
8	113469	1	DOOD ADJUSTER WELDMENT
9	113554	1	DOOR ADJUSTER WELDMENT, Lower
10		1	BOLT, 1/2"
11		1	WASHER, 1/2"
12	69261	1	HEX NUT, 1/2"
13	66919	1	GREASE FITTING
14	113549	5	UHMW, Full Bed, 560 - 44 (Not Shown)
15	113550-1	5	UHMW, LH Single Row (Not Shown)
16	113550-2	5	UHMW, RH Single Row (Not Shown)
17	113551-2	5	UHMW, CENTER, Double Row 14" (Not Shown)
18	113553-3	5	UHMW, LH Double Row 14" (Not Shown)
19	113553-4	5	UHMW, RH Double Row 14" (Not Shown)



PLANT TUNNEL ASSEMBLIES			
REF. NO.	PART NO.	QTY. REQ'D.	DESCRIPTION
1	113626	1	TUNNEL ASSEMBLY
2	111071	2	TUNNEL, TOP COVER
3	111669	16	TUNNEL SIDE RUNNER
4		16	CARRIAGE BOLT, 1/2"
5		16	FLAT WASHER, 1/2"
6		16	LOCK WASHER, 1/2"
7		16	NUT, 1/2"
8	111673	1	TUNNEL, FRONT AND REAR ANGLE BRACKET
9	113557	1	TUNNEL SHANK, Rear (Not Shown)
10	111674	1	TUNNEL SHANK, Front (Not Shown)
	113761	1	TUNNEL SHANK, Rear Offset, Center, Dbl R 14" (N.S.)



GAUGE WHEEL ASSEMBLY			
REF. NO.	PART NO.	QTY. REQ'D.	DESCRIPTION
1	113645		GAUGE WHEEL ASSEMBLY, Complete, LH
	113644		GAUGE WHEEL ASSEMBLY, Complete, RH
	63084	1	SPINDLE WELDMENT, LH
	63082	1	SPINDLE WELDMENT, RH
2	107499	1	TURNBUCKLE
3	107999	1	WHEEL ASSEMBLY
	63083	1	WHEEL
	70069	1	TIRE
	63130	1	HUB
5	62307	1	OIL SEAL
6	64860	1	BEARING CONE, Outer
7	64861	1	BEARING CUP, Inner
8	67922	1	BEARING CUP, Outer
9	64862	1	BEARING CONE, Inner
10	67084	5	LUG NUT
11	111737	2	TURNBUCKLE PIN
12	71884	2	BOLT
13	107218	2	MOUNT WELDMENT
15	107221	1	TURNBUCKLE SUPPORT WELDMENT
16	Stock	2	NUT, 3/4"
17	Stock	2	LOCKWASHER, 3/4"
18	70486	1	WASHER
19	70485	1	NUT
20	63153	1	DUST CAP
21	70487	4	COTTER PIN



BLANK PAGE